



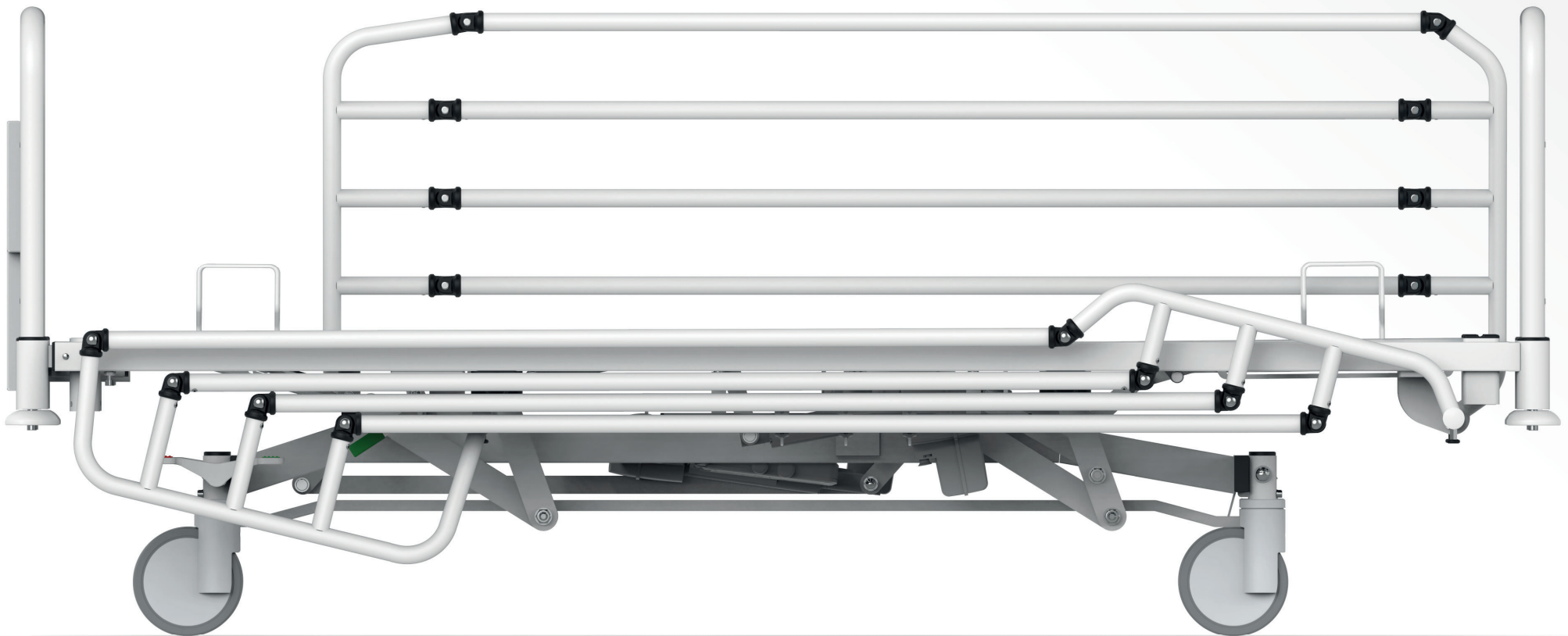
Beds also suitable for restless patients



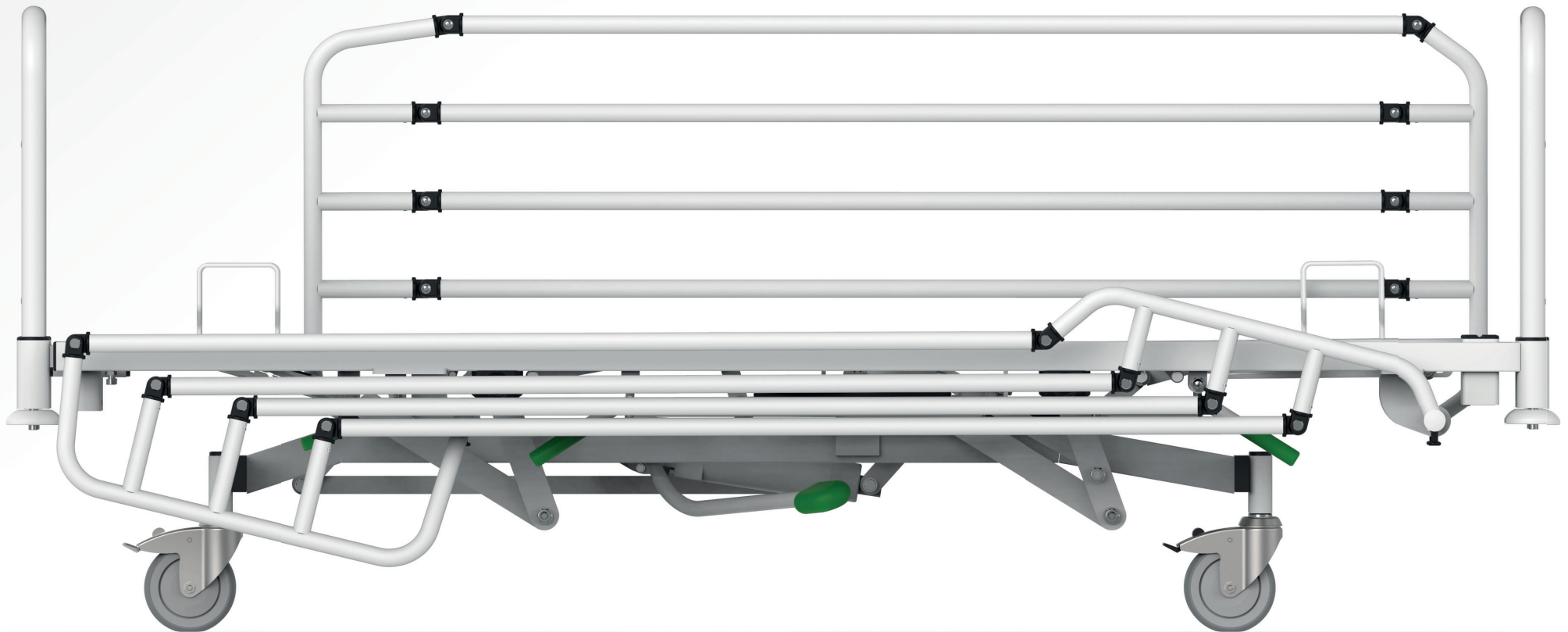
SUPER TA E

SUPER TA H

Beds also suitable for restless patients



Introducing a special bed configuration designed with the comfort and safety of restless and mentally unfit patients in mind. We strive to create an environment that supports their treatment and improves their well-being during their hospital stay. Our beds are equipped with special modifications and features that are tailored to the unique needs of these patients.



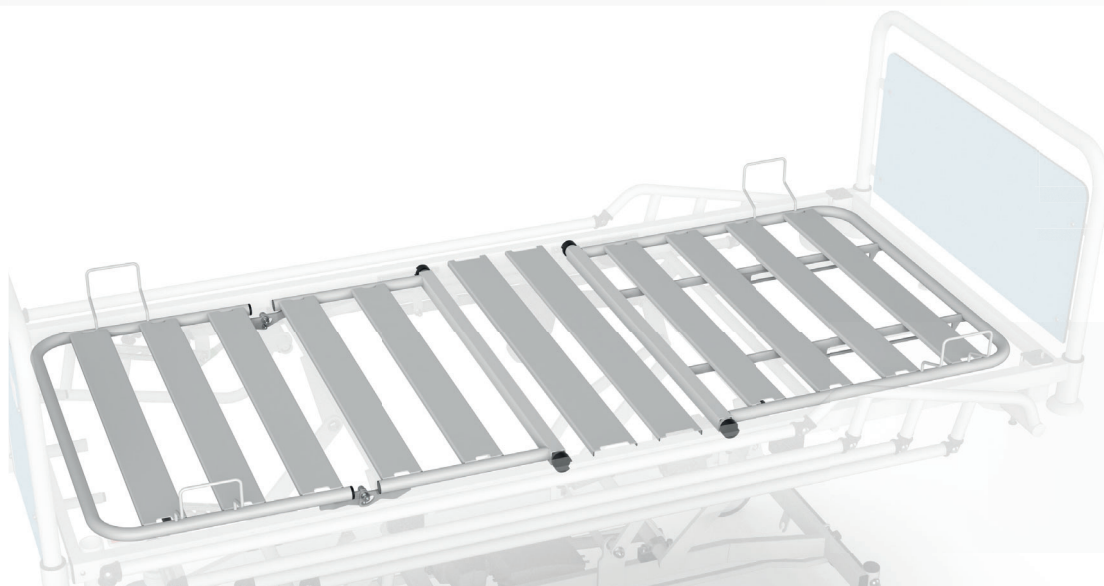


Safe non-removable bedhead and siderails

For maximum patient safety, the bed can be equipped with non-removable side rails and headboards. This eliminates all user removable parts and makes the bed one compact unit.

Increased load capacity

The solid and stable construction with a safe operating load of up to 250 kg provides safe support even when caring for patients with higher weight. Thanks to the materials and technologies used, extremely high durability is ensured even under repeated increased loads.

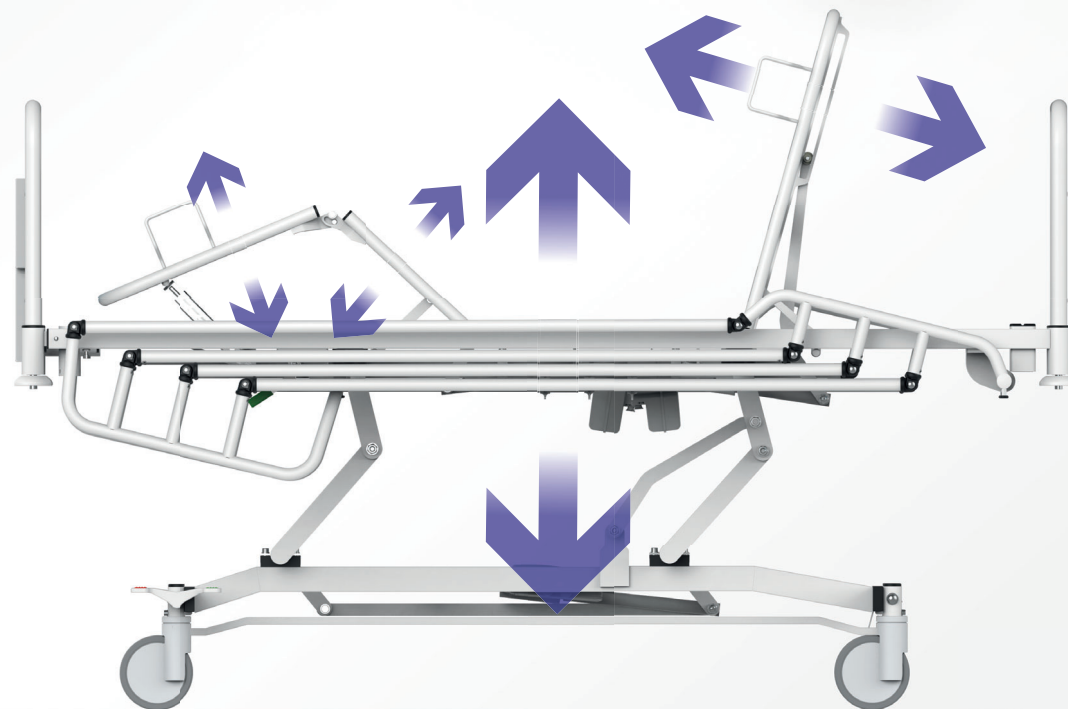


Mattress platform

The mattress platform is made of profiled metal slats. The main advantages of this material are their high resistance to chemicals used in the medical field, surface stability and resistance to wetting.

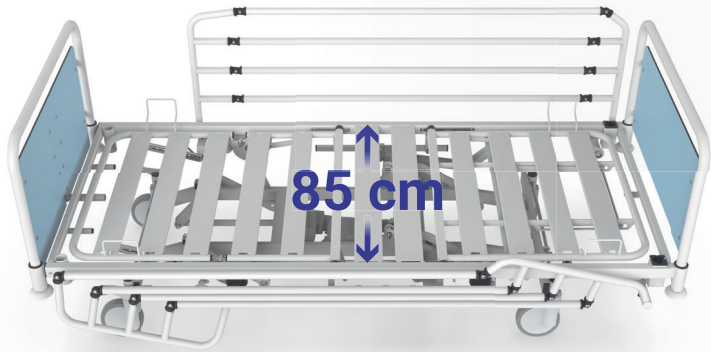
Lifting of the mattress platform

Fully electric (SUPERTA E) or hydraulic (SUPERTA H) positioning of the mattress platform reduces the effort for the attending staff and facilitates the handling of the lying patient.



Comfortable positioning

The electric (SUPERTA E) or mechanical (SUPERTA H) positioning of the back and thigh section in combination with the mechanical positioning of the calf section allows a wide range of adjustment of the individual parts of the loading area. With the SUPERTA E, the nursing staff can adjust the individual positions easily using the controller.

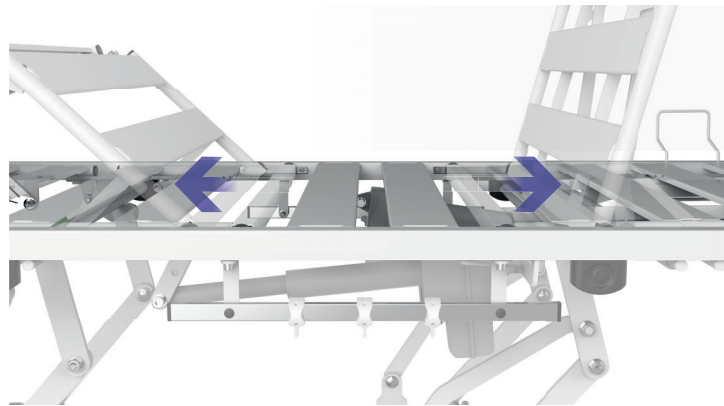
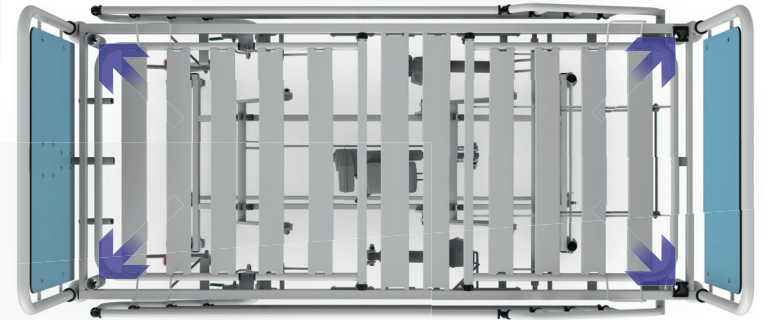


Width of the mattress platform

The optimal width of the mattress platform ensures maximum comfort for the patient and easy handling of the bed.

Universal accessories holders

They allow the use of accessories such as: lifting pole and handle, IV pole, monitor holder, additional side rails, bedside lamp or extension kit.



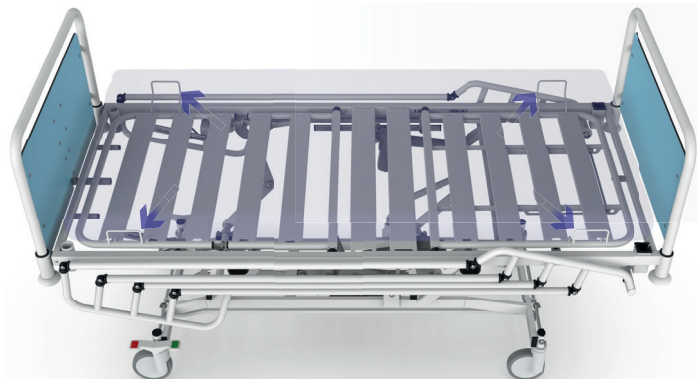
Double autoregression

Brings greater comfort to patients, reduces abdominal pressures and reduces the risk of decubitus.



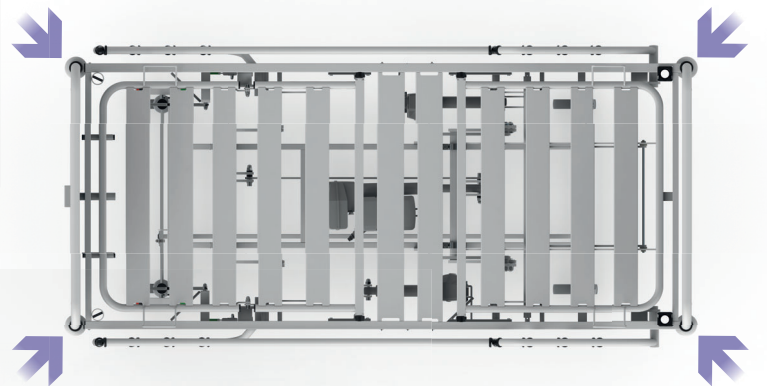
Castors TENTE

The TENTE branded castors with central brake also ensure easy handling of the bed.



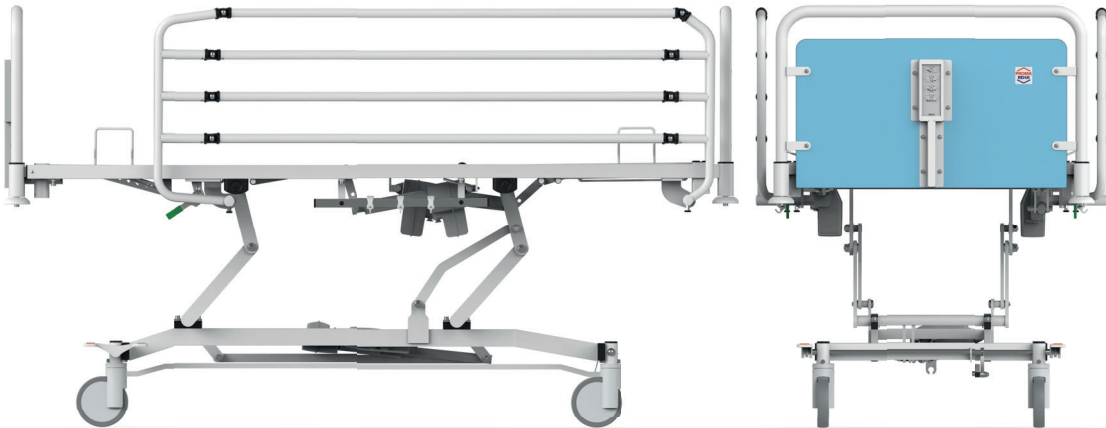
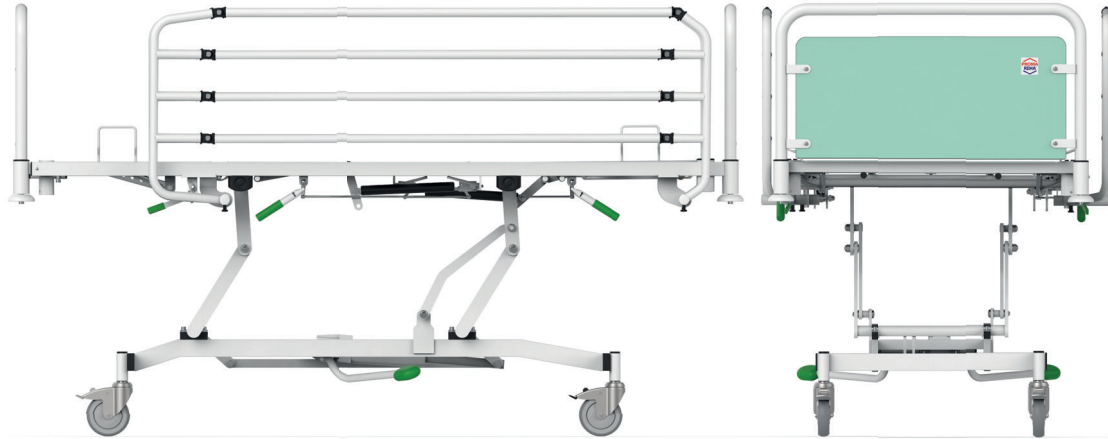
Mattress holders

The mattress holders ensure optimal positioning of the mattress when positioning the mattress platform. The holders are positioned so as not to obstruct the positioning of the evacuation mat.



Bumper wheels

The bumper wheels located at the four corners of the bed are a great help especially during transport.



Technical parameters

SUPERTA E, SUPERTA H

Mattress platform dimensions (l x w)	200 x 85 cm
Outer bed dimensions with bumper wheels (l x w).....	214 x 97 cm
Mattress platform height	39,5 - 78,5 cm
Autoregression back part	12 cm
Autoregression thigh part	6 cm
Weight of the bed	125 kg
Safe operating load of the bed.....	250 kg
Maximum patient weight.....	215 kg
Back part X-Ray	No
Application environment for bed use	2, 3
Mattress platform parts - metal slats.....	Yes
Type of boards - metal with HPL.....	Yes
Type of siderails.....	Foldable metal siderails - 4 tubes
Max. angles of adjustable sections - back part.....	70°
Max. angles of adjustable sections - thigh part	40°
Max. angles of adjustable sections - calf part.....	25° (rastomat)

Bed equipment

Castors	Metal, plastic (optional)
Bumper wheels	Yes
Central brake	Yes (optional)
Horizontal accessory holder	Yes 2x (optional)
Plastic hook for horizontal accessory holder.....	Yes 6x (optional)
Universal accessory holder	Yes 4x

Mattress

Recommended mattress (length x weight).....	200 x 85 cm
Mattress thickness in normal using	14 cm
Recommended minimal mattress size.....	12 cm
Recommended maximal mattress size.....	22 cm

