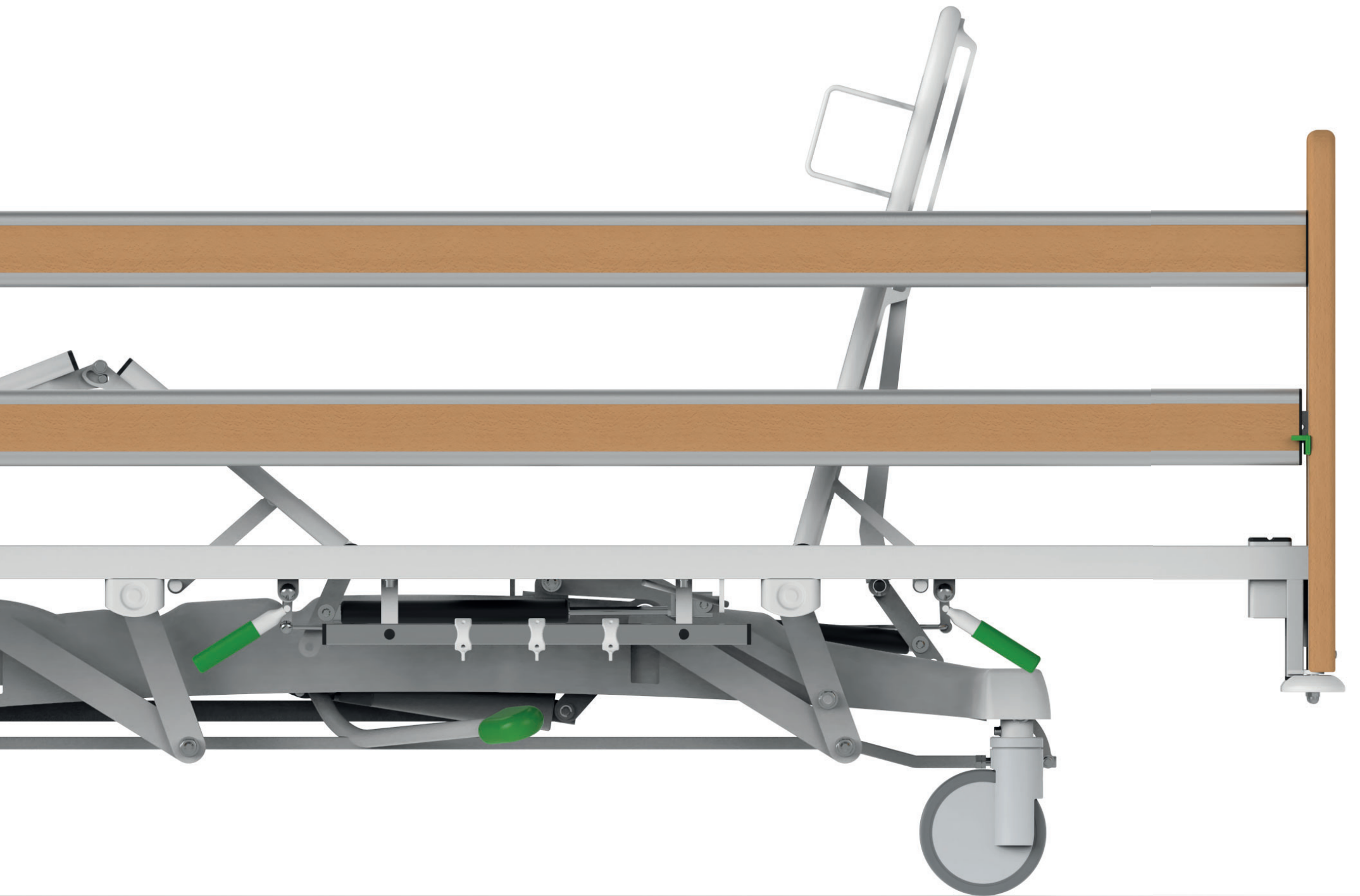


DOMEO H

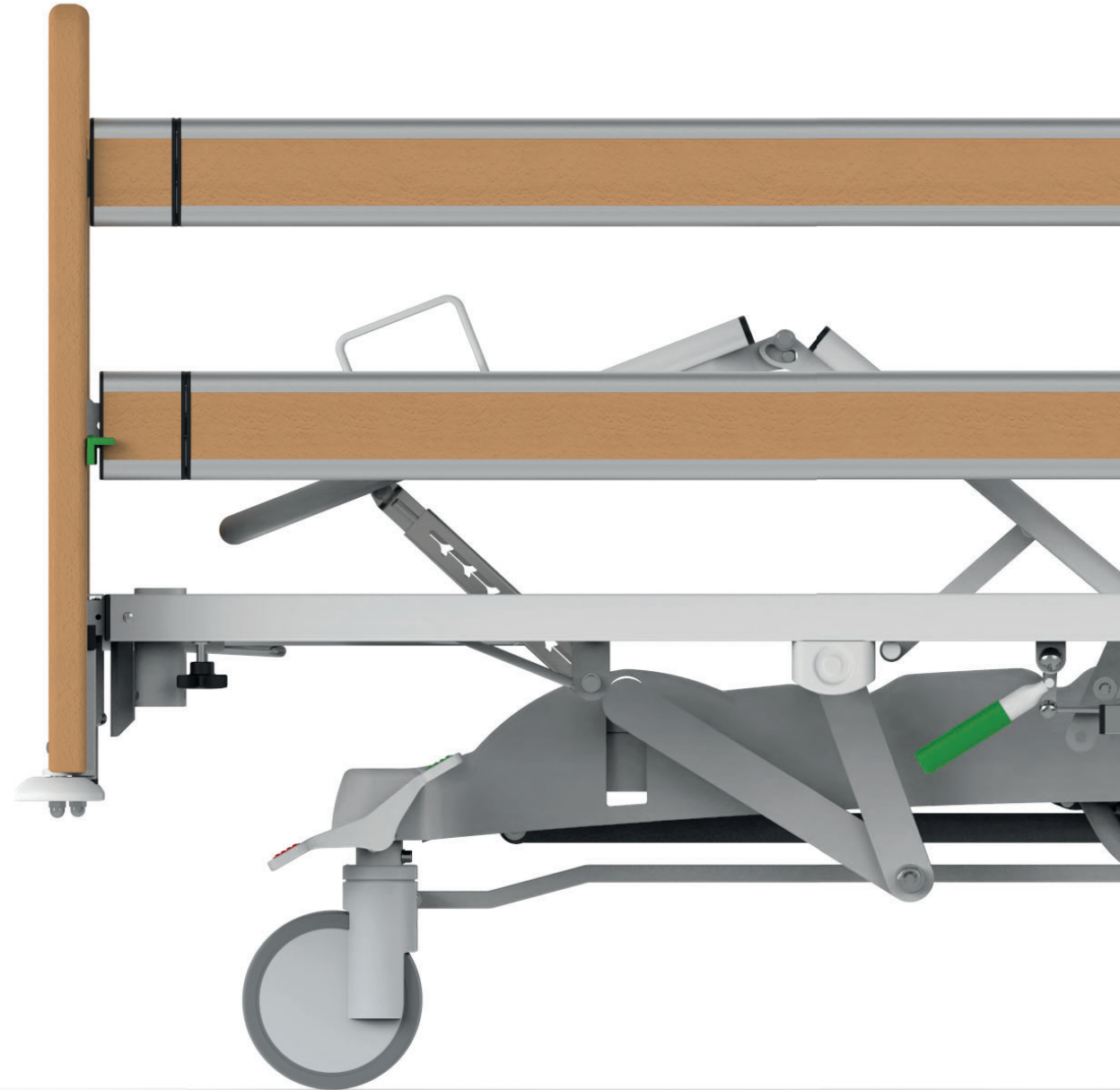
Bed for standard nursing care



DOMEO H

Bed for standard nursing care.

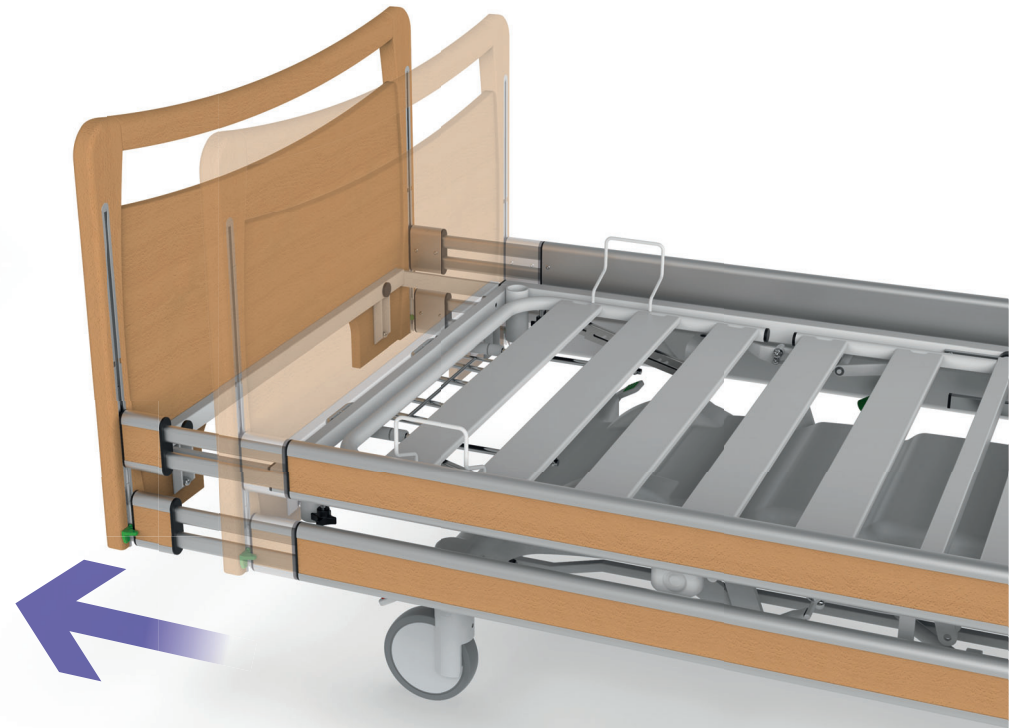
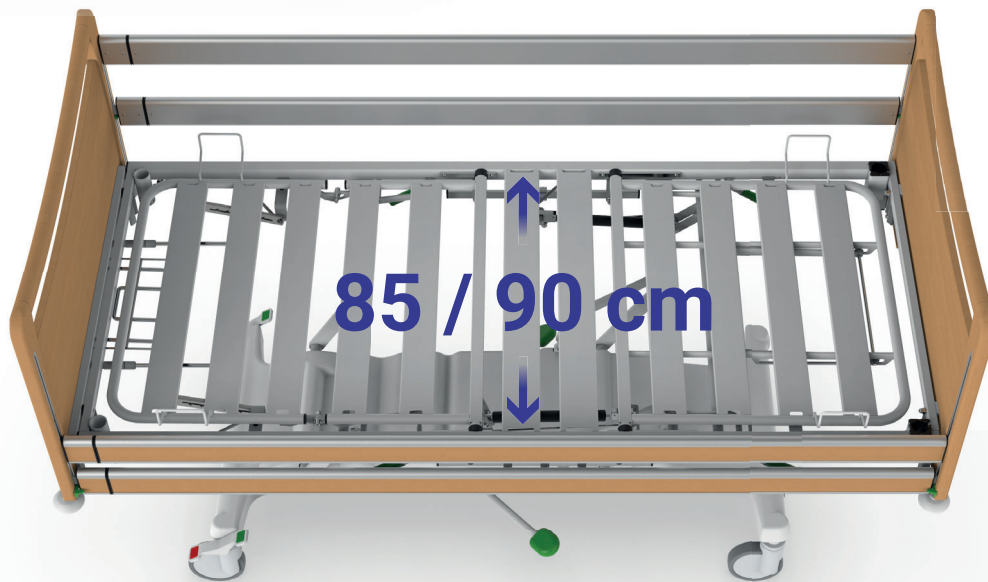
DOMEO H care beds are specially designed for standard nursing care, especially for people with limited mobility or those who need help with everyday activities. These beds are equipped with various features, such as bed surface positioning, robotic folding side rails and hydraulic bed surface lifting, which facilitate the work of caregivers and help clients to be independent.





Increased load capacity

The solid and stable construction with a safe operating load of up to 250 kg provides safe support even when caring for patients with higher weight. Thanks to the materials and technologies used, extremely high durability is ensured even under repeated increased loads.

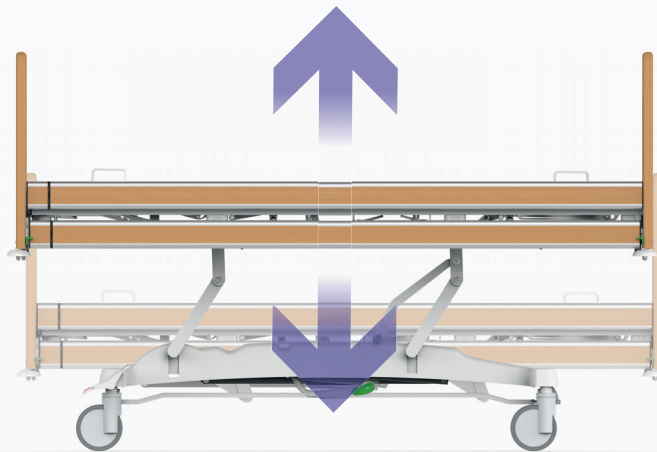
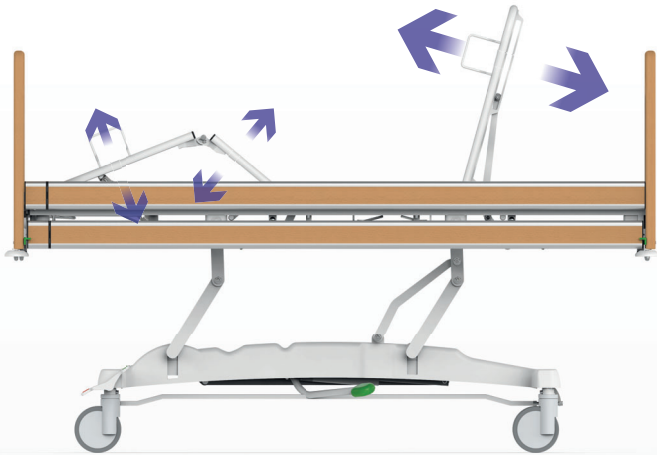


Extension of the mattress platform

Extending the mattress platform increases comfort even for taller patients and makes it easier for staff to handle the patient.

Width of the mattress platform

The optimal width of the mattress platform ensures maximum comfort for the patient and easy handling of the bed.



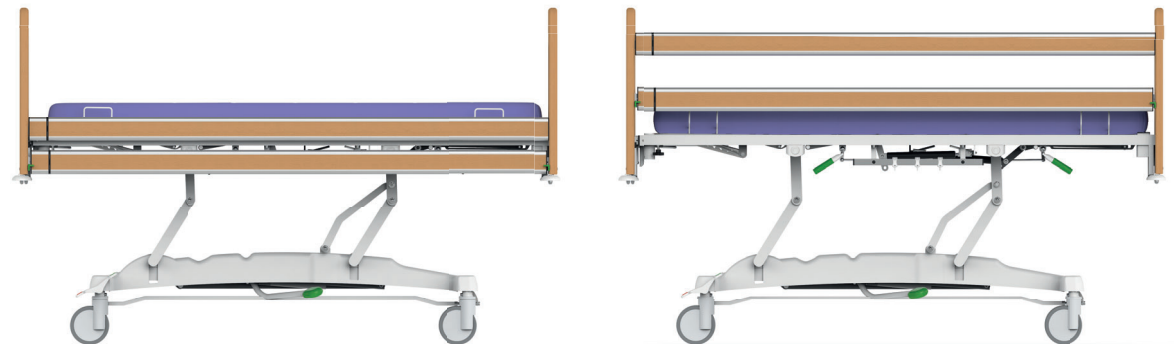
Comfortable positioning

The increased range of the bed lift reduces the strain on staff and facilitates the client handling. The reduced minimum height of the mattress platform assists the client in exiting the bed.

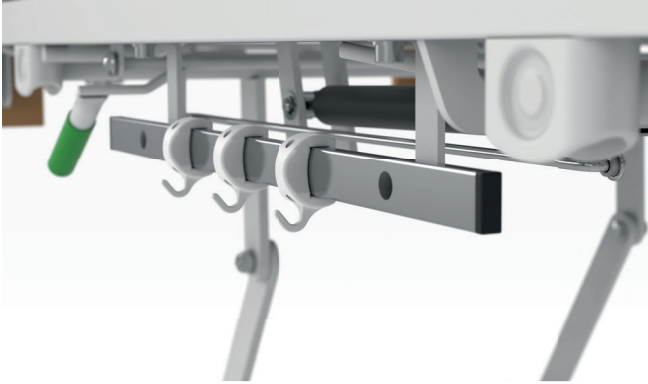
Positioning of the back and thigh section in combination with the positioning of the calf section allows a wide range of adjustment of the individual parts of the mattress platform.

Foldable side rails

The safety of the client on the bed is ensured by folding siderails. The easy folding of the side rails with two independent movements significantly reduces the risk of accidental lowering. The folded siderails are positioned sufficiently below the mattress level to allow easy exit from the bed.



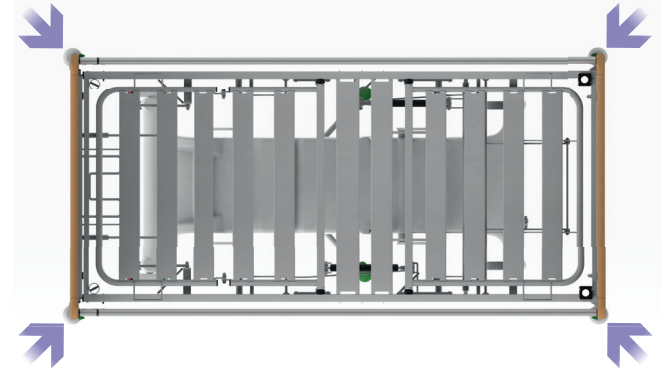
Horizontal accessories holder



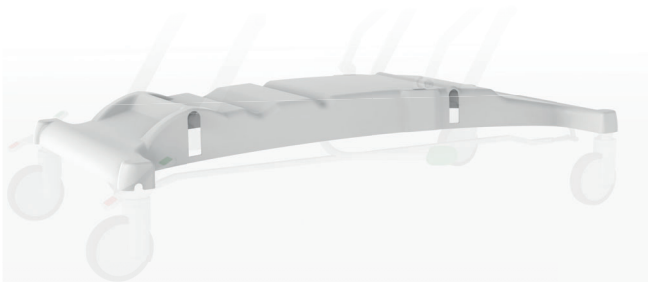
Universal accessories holders



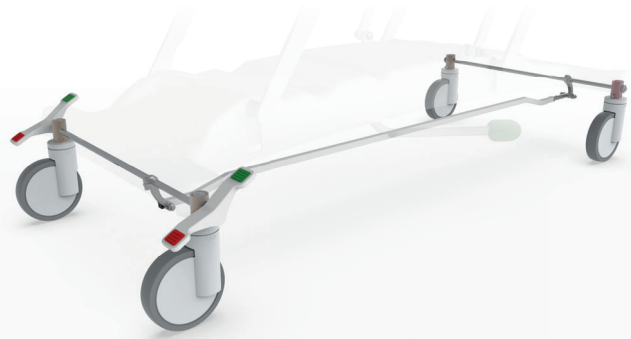
Bumper wheels



Plastic undercarriage cover



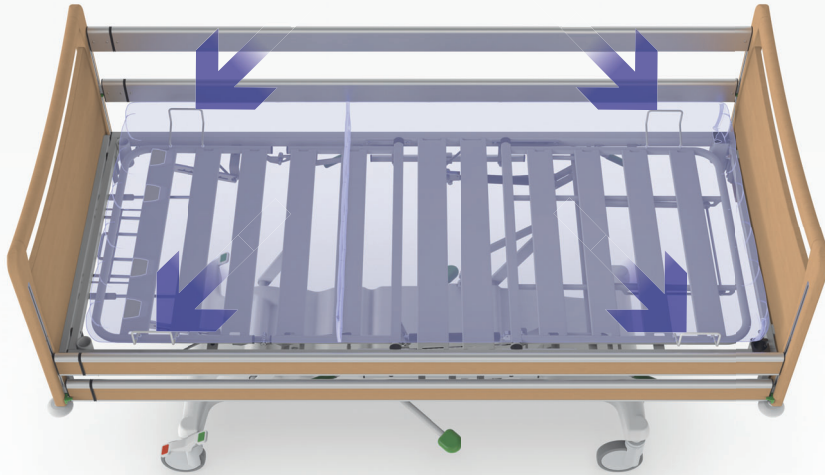
Plastic wheels with central brake



Bed linen shelf

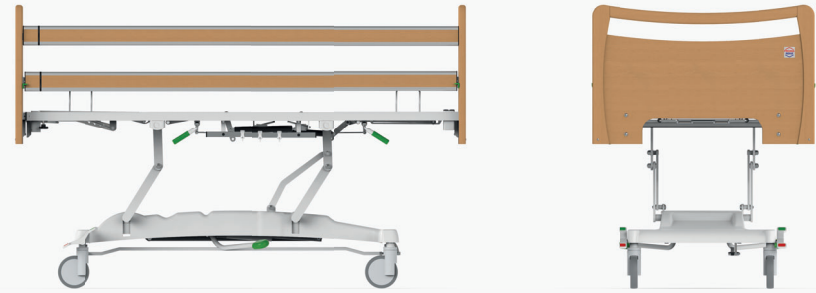


Mattress holders



Choice of design and decor

Being able to choose the design and colour decor of care beds allows you to create an esthetic and welcoming space that can help improve mood, comfort and reduce stress.



Technical parameters

Mattress platform (length x width)	200 x 85 (90) cm
Outer bed dimensions (length x width)	206 (207) cm x 98 (103) cm
Mattress platform height	39,5 - 78,5 cm
Mattress platform extension	20 cm (optional)
Weight	123 kg
Safe working load	250 kg
Maximum patient weight	215 kg
CPR of the back	Yes
The bed is designed for application environments	3, 4
Mattress platform	metal slats (plastic removable optionally)
Types of bedheads	UNI P, UNI K

Bed equipment

Castors	Metal, plastic (optional)
Bumper wheels	Yes (optional)
Central brake	Yes (optional)
Universal accessory holder	Yes 2x (optional)
Plastic hooks for universal accessory holder	Yes 6x (optional)
Chassis cover	Yes (optional)
Accessory holders	Yes 4x
Bed linen shelf	Yes (optional)

