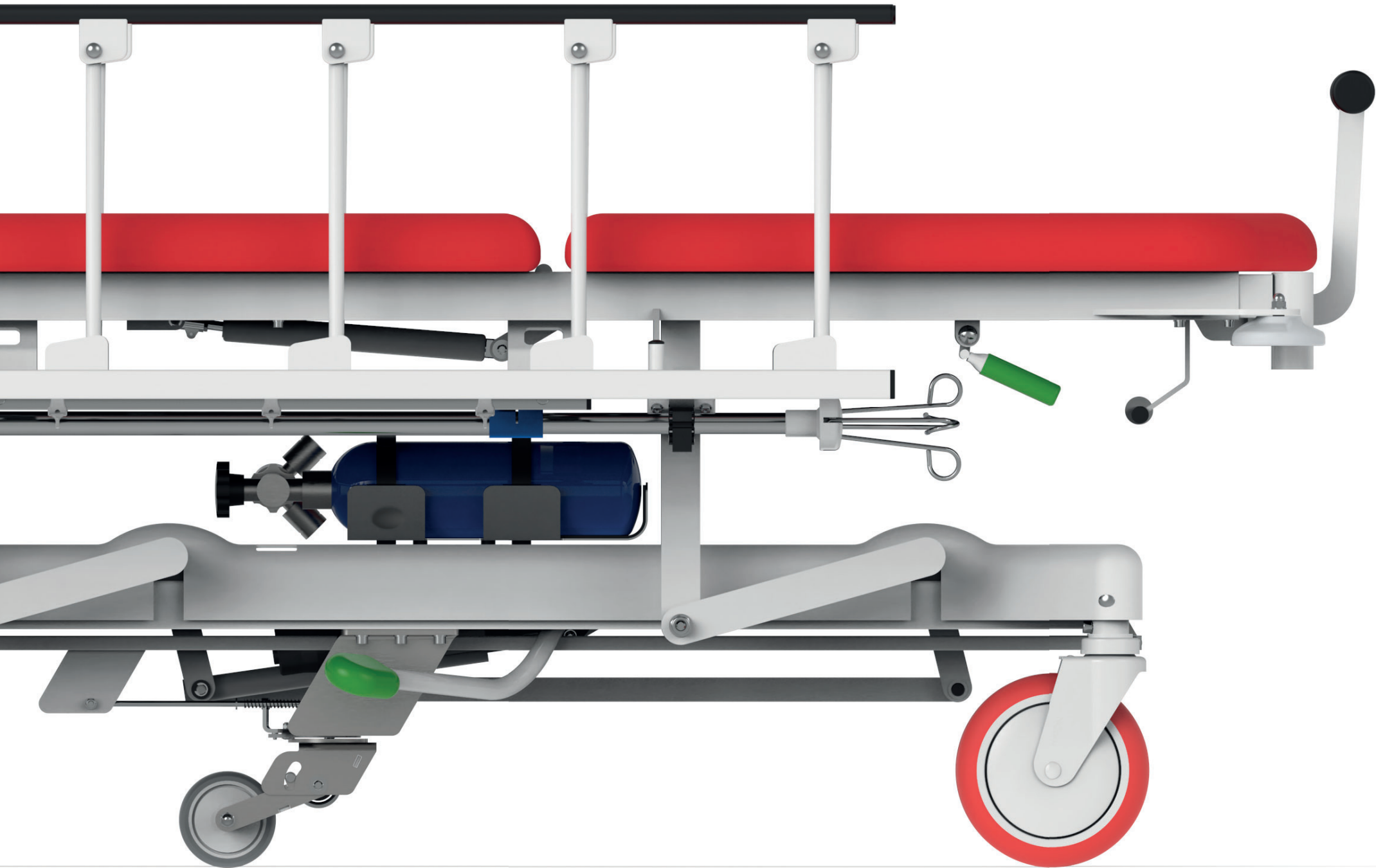




TAURUS  
Transport stretcher



# TAURUS

The TAURUS transport trolley is designed for fast and safe transport of bariatric patients weighing up to 285 kg.

The ergonomic and intuitive controls allow immediate use of all functions. The handrails are equipped with the SAFE GAPS safety system, which eliminates the risk of pinching or trapping the hands during folding. The large castors and lightweight design ensure high mobility and easy handling.



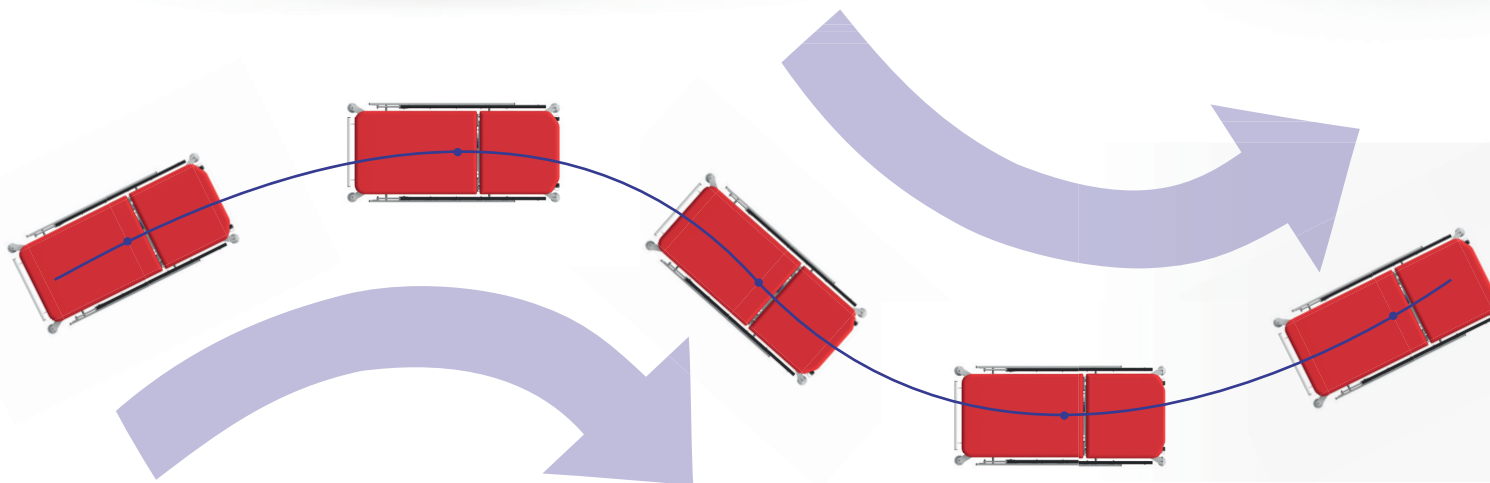
## Optimal width for bariatric patients

The width of the stretcher guarantees comfortable transport even for larger patients and at the same time allows perfect access for the medical staff to the patient.



## High load capacity 320 kg

The solid and robust design with a load capacity of up to 320 kg creates a secure support for patient care. Very high durability is ensured thanks to the materials and technologies used.

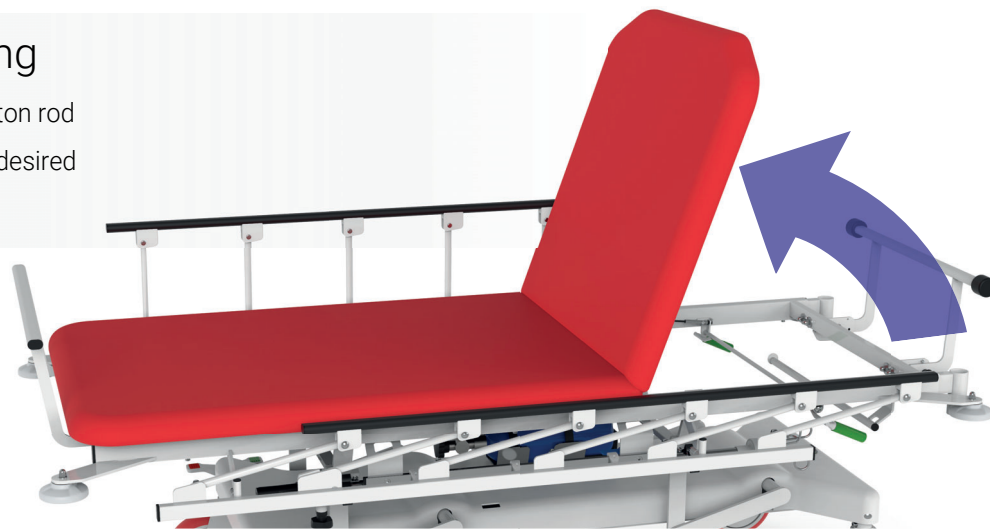


## 5th wheel

The fifth wheel ensures easy and intuitive handling of the stretcher. This feature is particularly useful in rugged areas and for handling by one person.

## Comfortable positioning

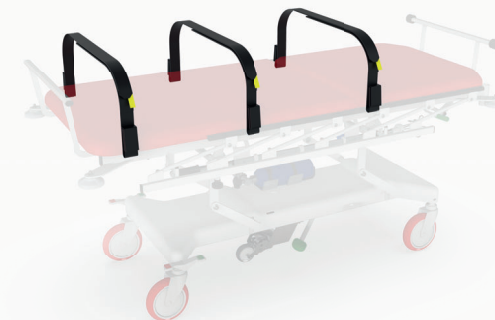
Back positioning is aided by a gas piston rod that allows instant adjustment to the desired position without physical effort.



## Universal accessory holders

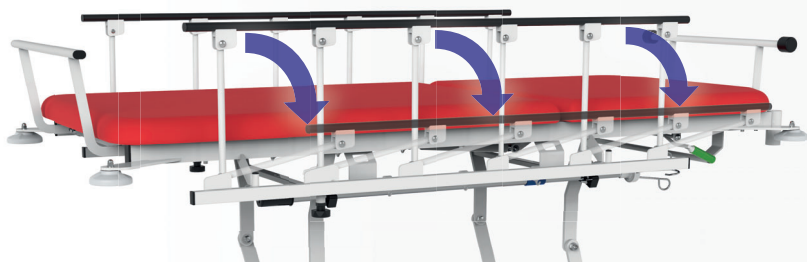


## Fixation belt set

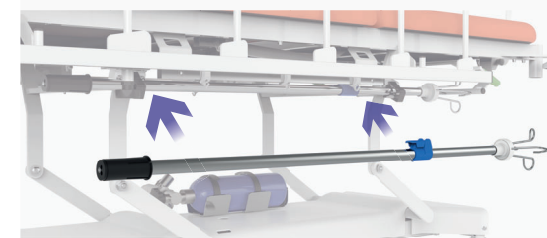


## Safe side rails

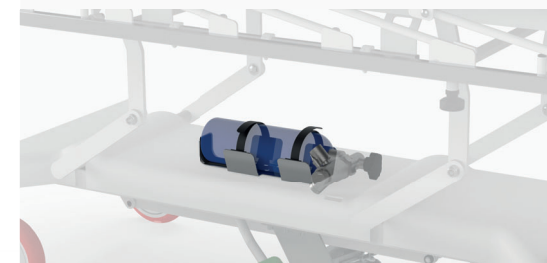
The Side rails along the patient surface can be easily folded down to provide immediate access to the patient. Thanks to the SAFE GAPS safety system, the risk of pinching the arm during folding is eliminated.



## Infusion stand holder

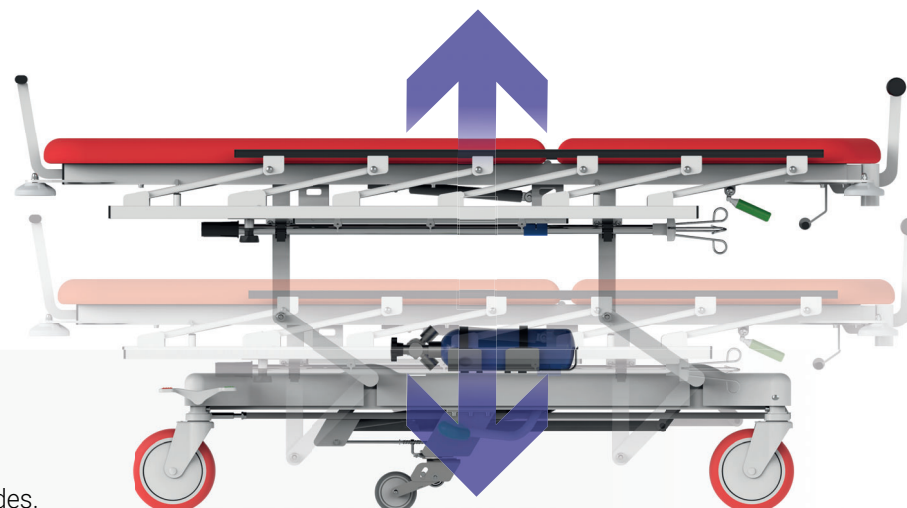


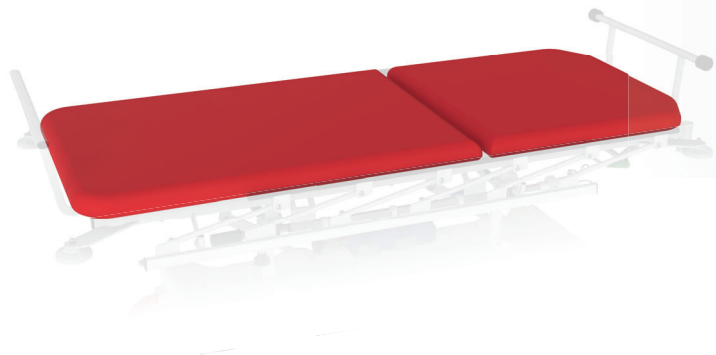
## Oxygen bottle holder



## Easy height adjustment

The mattress platform lift is controlled by an easy-to-use foot pedal accessible from both sides.





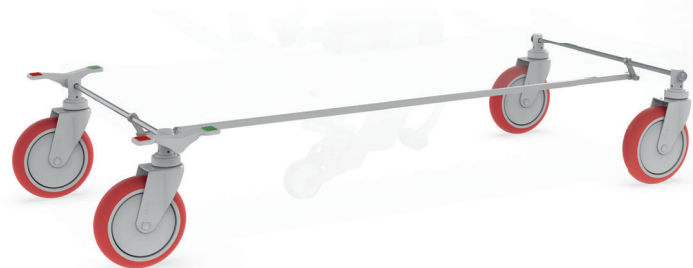
### Mattress from medical leatherette

The comfortable mattress is upholstered in medical leatherette, which has anti-static protection with antimicrobial properties.



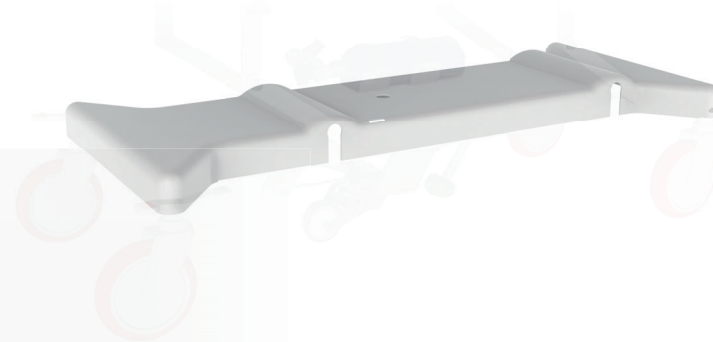
### Folding transport handle at the head

The transport handling handle behind the patient's head allows for quick folding when needed.



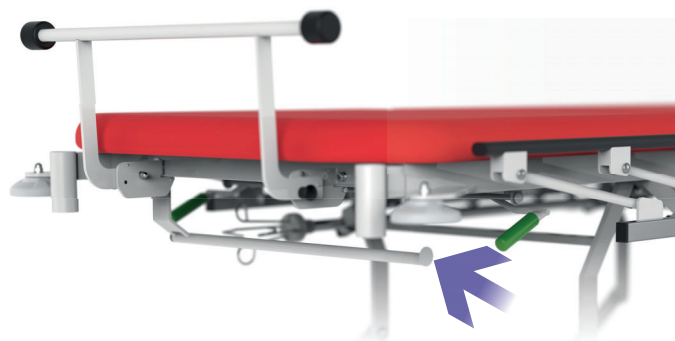
### TENTE brand castors

High-quality anti-static castors with centering brake, also suitable for outdoor use, reduce the physical effort of the staff and, thanks to the covers, facilitate cleaning and significantly extend their service life.



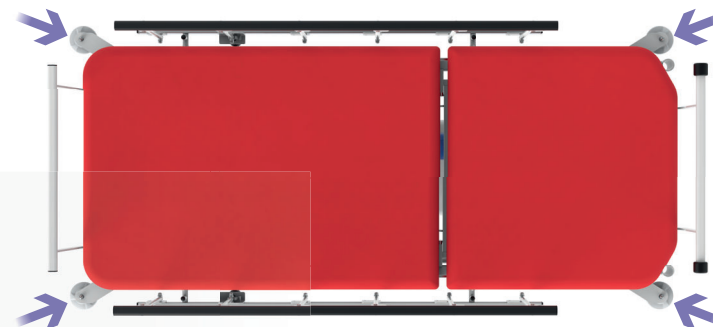
### Plastic chassis cover

The plastic cover makes daily cleaning of the stretcher easier and faster. It also protects the chassis mechanisms, thus extending the life of the individual components of stretcher.



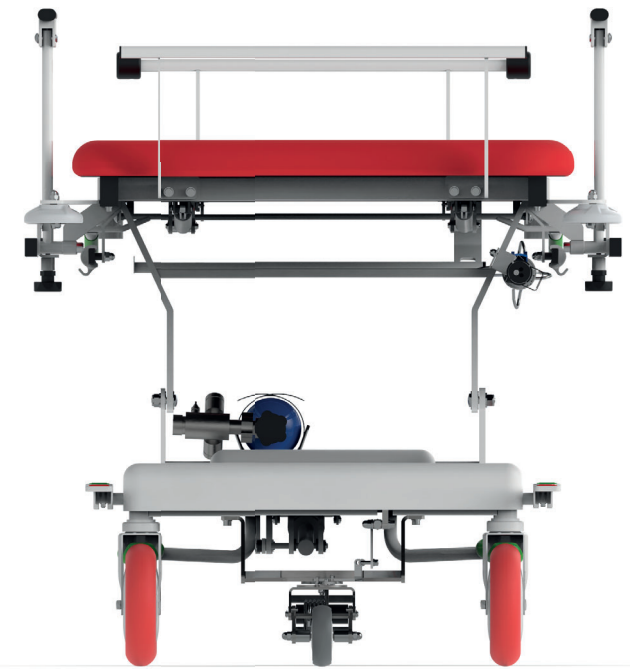
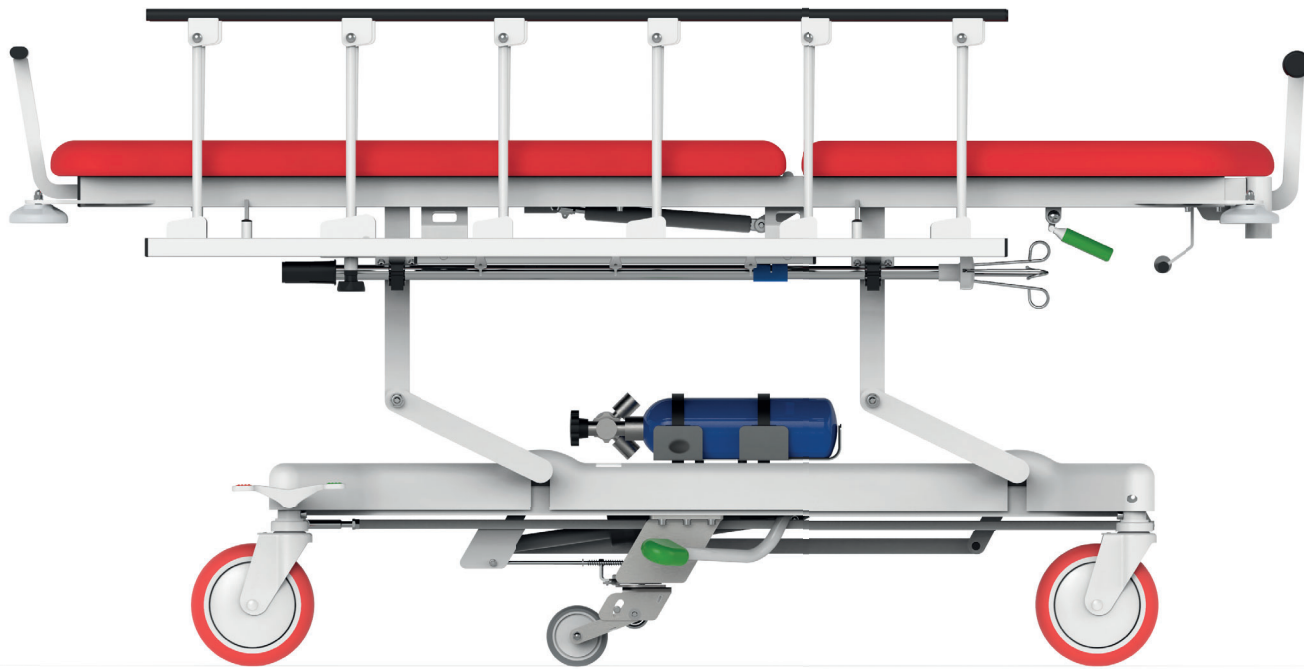
### Paper roll holder

The hygiene paper roll holder can be found under the mattress platform.



### Bumper wheels

The bumper wheels located at the corners of the mattress platform are a great help especially during transport.



## Technical parameters

Outer dimensions .....	213 x 98 cm	Material of mattress platform.....	Medical leatherette
Mattress platform .....	200 x 82 cm	Set of restraint straps.....	Yes (3 x)
Mattress platform height.....	57 - 94 cm	5th wheel.....	Yes
Lift of mattress platform.....	Hydraulic	Bumper wheels .....	Yes
Back part positioning.....	0 - 85°	IV pole holders .....	Yes (2 x)
Safe operating load.....	320 kg	Trasport holder of IV pole under the mattress platform .....	Yes
Maximum patient weight.....	285 kg	Transport handrail foldable to head .....	Yes
Weight.....	110 kg	Transport handrail to foot.....	Yes
Type of side rails.....	Foldable	Oxygen bottle holder.....	Yes
Castors .....	Metal, 200 mm	Horizontal accessories holder .....	Yes
Type of brake.....	Central	Paper roll holder.....	Yes

