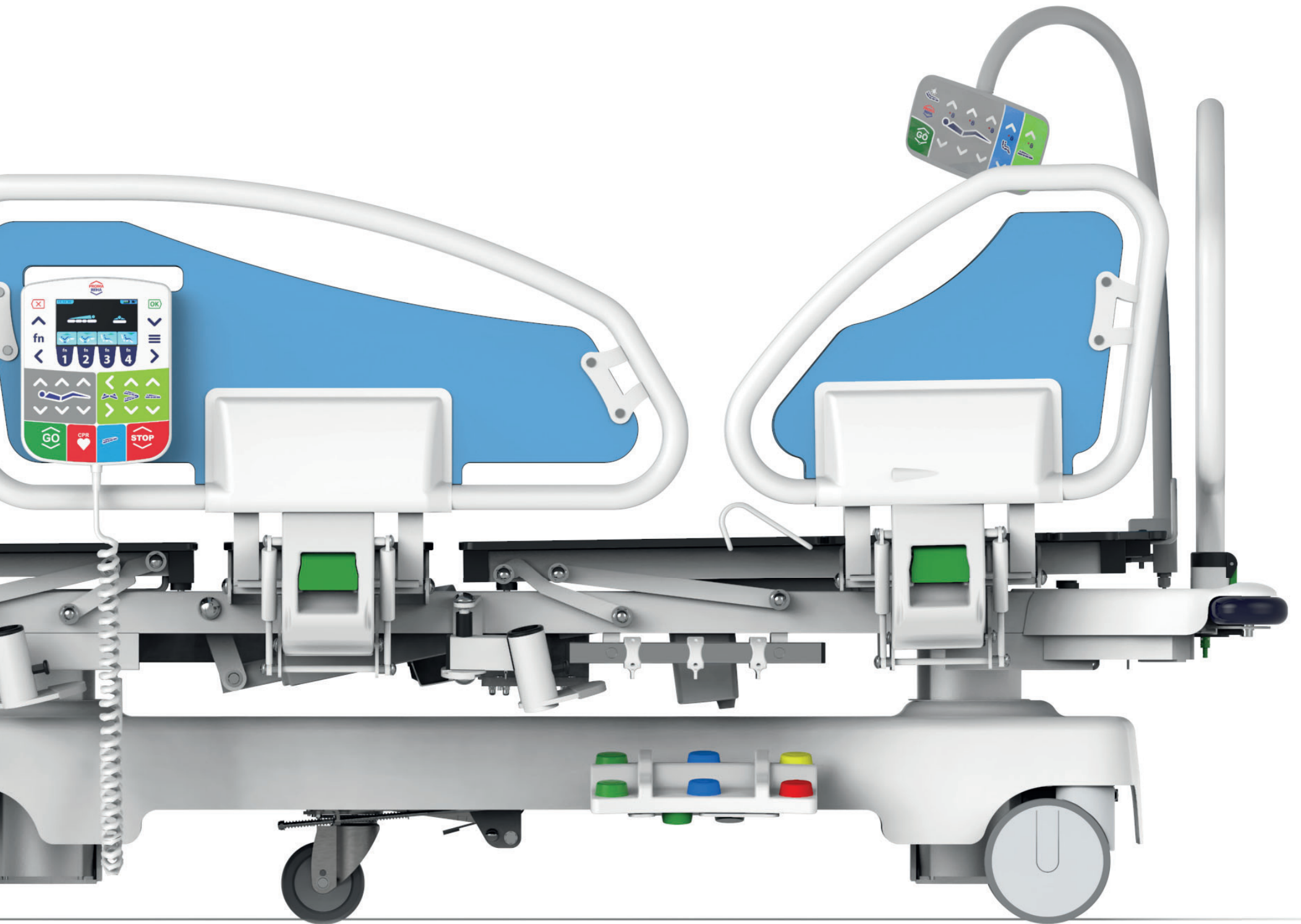




TITAN

Bariatric bed

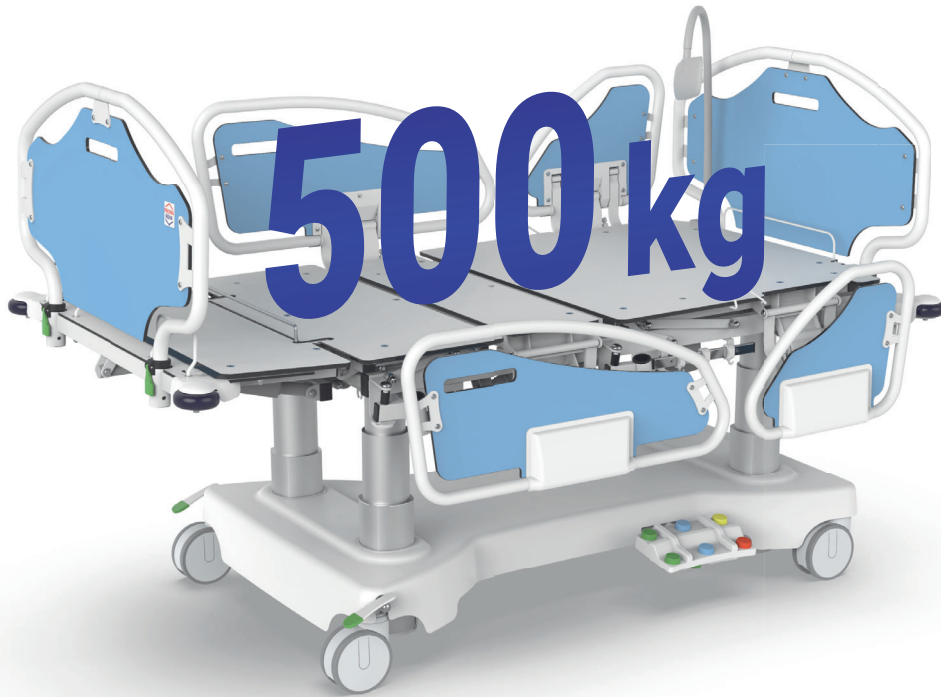


TITAN

Bariatric bed designed for standard, above-standard and intensive hospital care

This bed would be hard to compete with. Safety for both patient and staff is ensured by a robust and durable steel frame that allows the bed to reach a load capacity of 500 kg (1100 lbs). The strong and stable structure has been designed in material and technology down to the last detail. Of course, superior features are also included to enable comfortable care for bariatric patients.



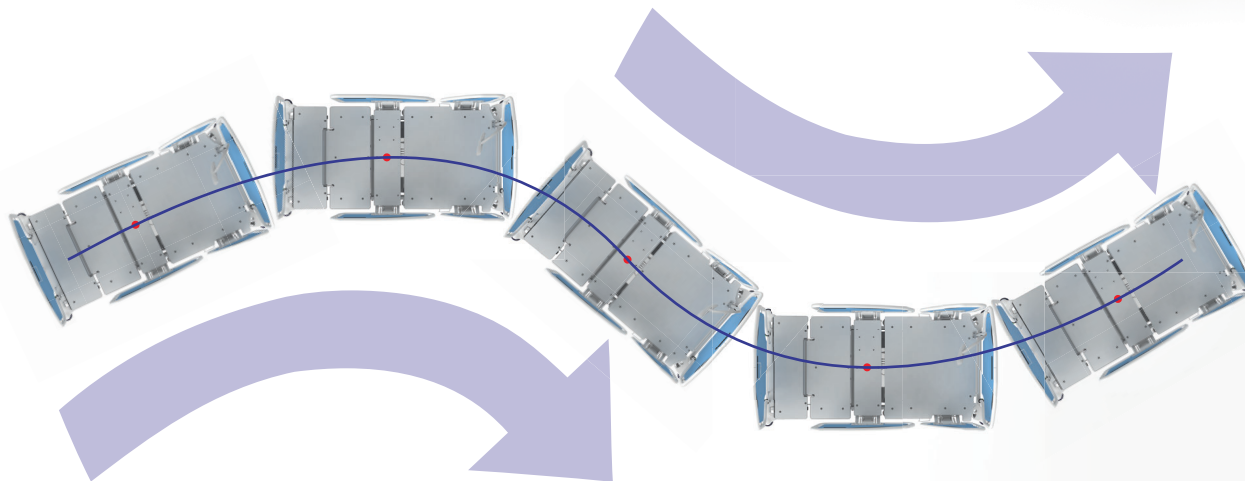
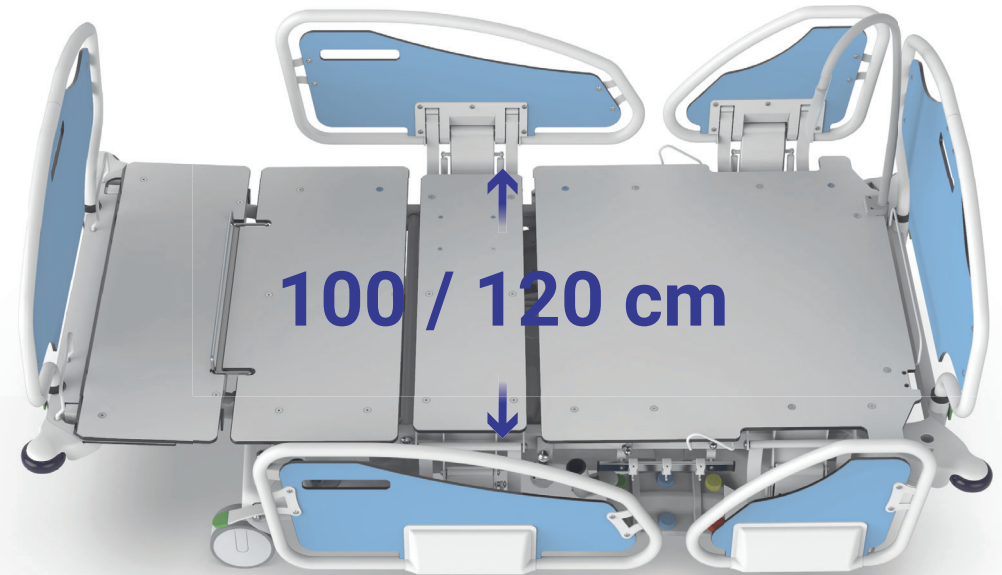


Safe operating load 500 kg

Since safety is our first priority, the bed is stable even under loads of up to 500 kg. Staff and patients alike will appreciate the use of quality materials and technology to ensure extreme long life.

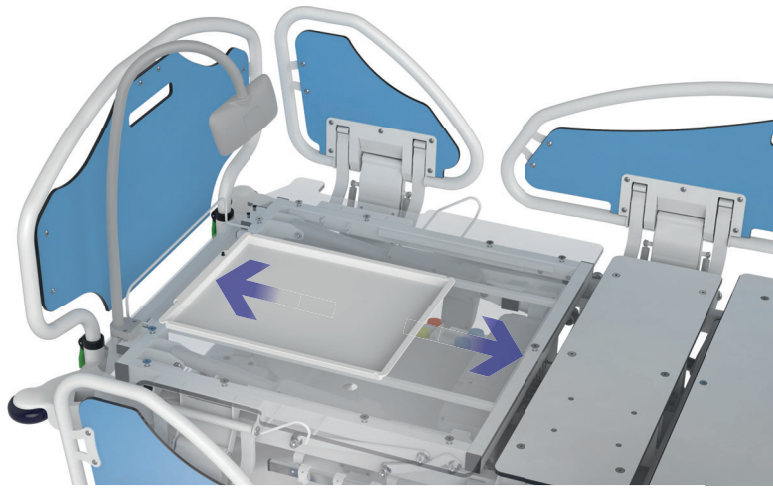
Width variants

In order to meet the requirements and possibilities of our customers, we offer the bed in two width variants, namely 100 and 120 cm. If the layout of the interior allows it, we always recommend choosing the 120 cm width.



Fifth wheel

The fifth wheel ensures easy and intuitive handling of the bed. This feature is particularly useful in rugged areas and when the bed is handled by one person.

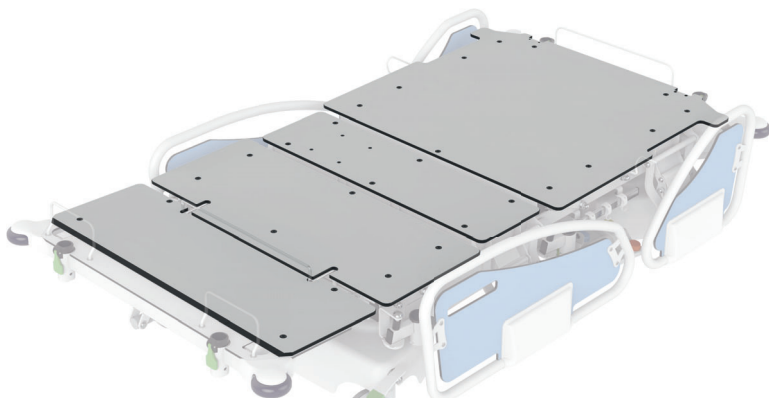


X-rayable mattress platform

The design of the bed surface allows comfortable and safe scanning with conventional X-ray machines directly at the bedside. This allows specialised examinations or procedures to be performed directly at the bedside without having to move the patient.

HPL patient area

The mattress platform made of high-pressure laminate (HPL) is the ideal support for an anti-decubitus mattress and the ideal choice for easy maintenance. All parts are fully electrically adjustable.



Weighing system (TITAN PRO)

The beds can be equipped with a calibrated and certified automatic weighing system with the possibility of easy setting of weighing modes, evaluation of measured values and display of results by means of graphs.





Foot control

The bed is equipped with foot controls with safety buttons for bed lift, lateral tilt, examination position and CPR. The control is equipped with a safety activation button located on the underside.

Unique bed with a safe operating load 500

Quick access to the patient

With safety lock

Backup batteries

Electric CPR

Nurse control with LCD

Universal accessory holders

Durable metal folding side rails



kg



Horizontal accessories holder

For hanging additional equipment

TENTE brand wheels

150 mm plastic with central brake

Chassis illumination

X-rayable loading surface

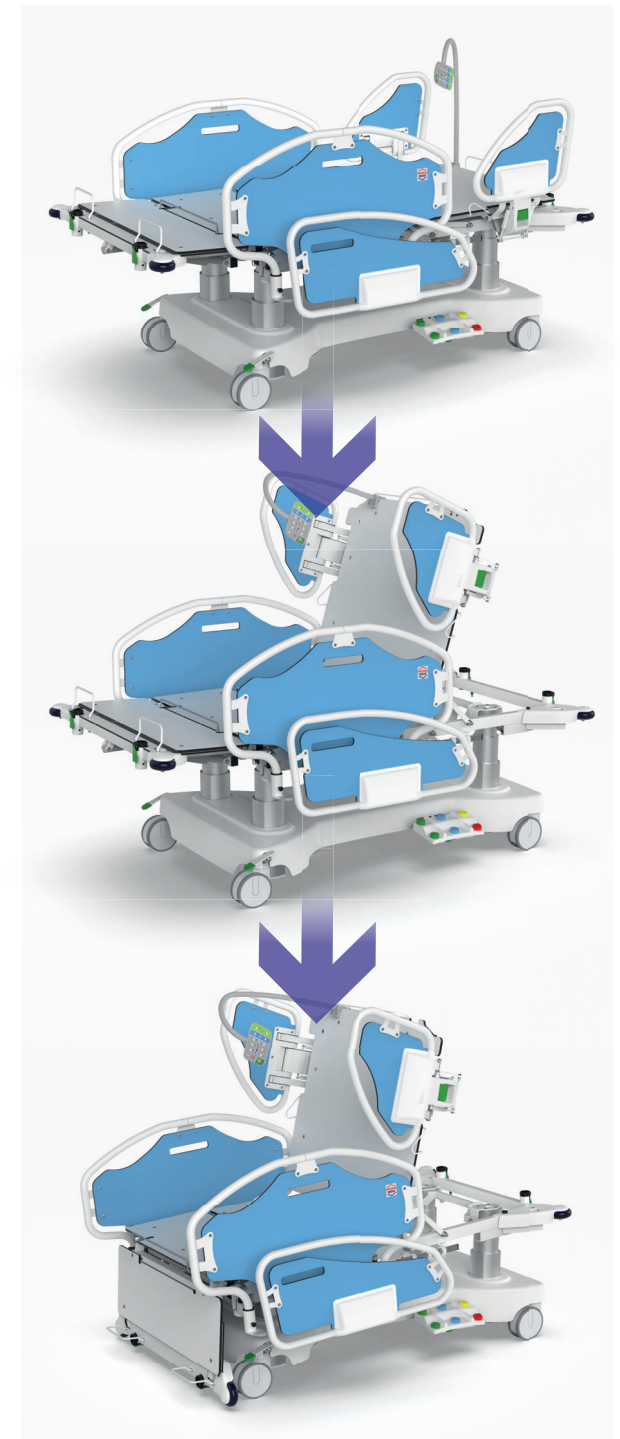
Using conventional X-ray cassettes

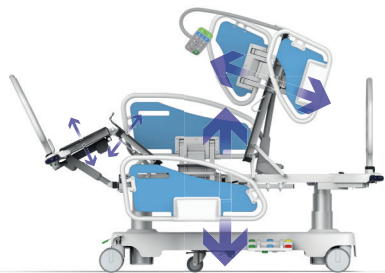
Intuitive controls with colour-coded functions



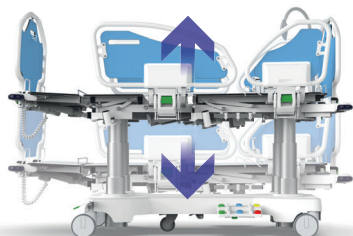
Direct bed exit position

An invaluable benefit to patients and nursing staff is the direct exit position, which provides the option for the patient to exit the bed through the foot board area. The unique design allows the bed surface to be adjusted to a chair position for maximum patient support when leaving the bed. It is the safest way for bariatric patients to get up and sit down, reducing physical strain on the patient and the nursing staff. The patient does not have to roll over to the side of the bed while getting up.





Fully electric control



Height of mattress platform 45 cm - 85 cm



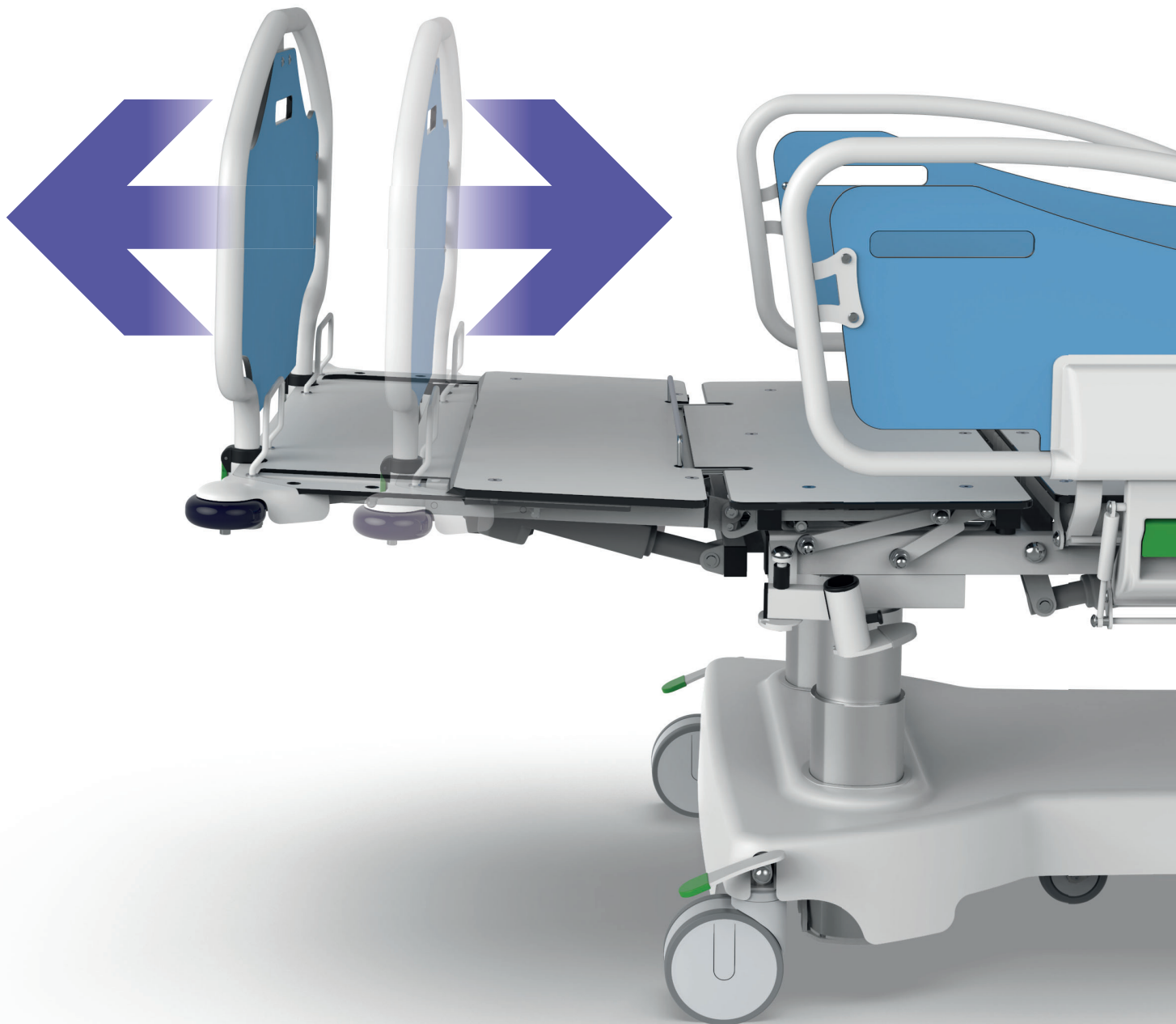
Lateral tilt

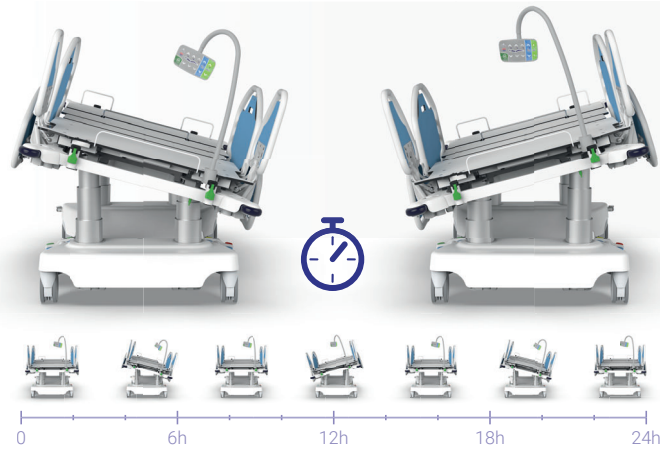


Trendelenburg / Antitrendelenburg

Electric bed extension by 20 cm

Electric bed extension of up to 20 cm brings comfort even to taller patients.



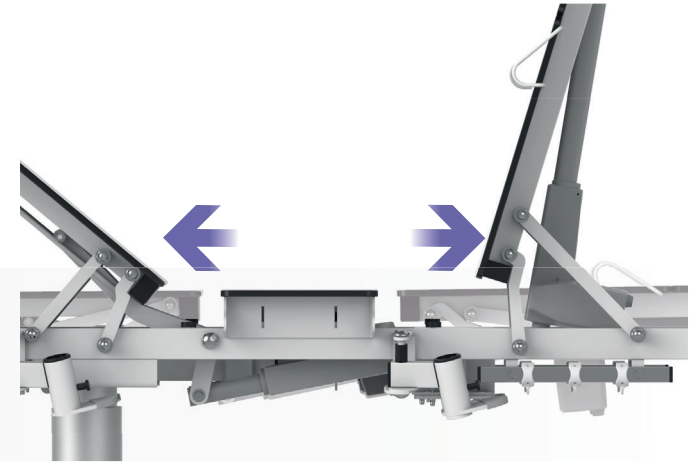


Automatic lateral therapy

It is a significant benefit especially for patients at high risk of postoperative respiratory complications and patients at high risk of developing decubitus.

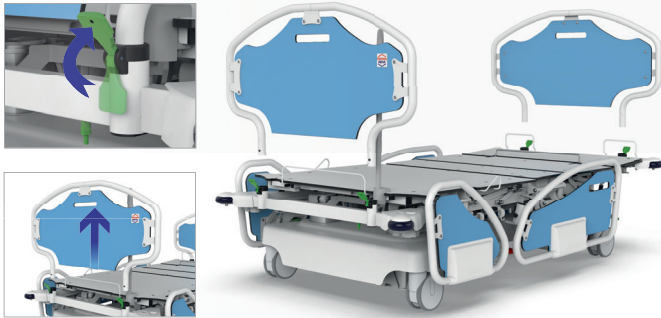
Double autoregression

Brings greater comfort to patients, reduces pressure in the abdominal area and reduces the risk of decubitus.



Quick access to the patient

RRS (Rapid Remove System) head and foot board removal significantly speeds up patient access at critical moments.



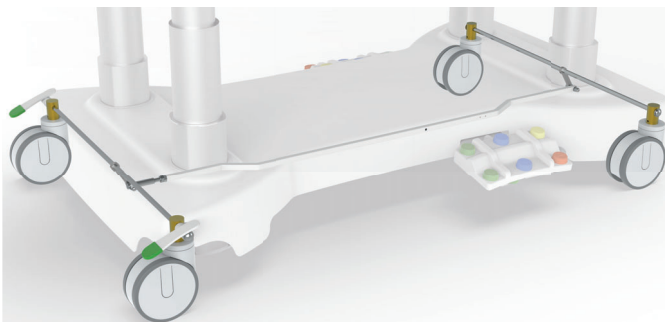
Stable four-post construction

When developing the bed, we placed emphasis on safety, stability and load-bearing capacity, which is why we chose four electric motors to lift the bed surface.



Central brake

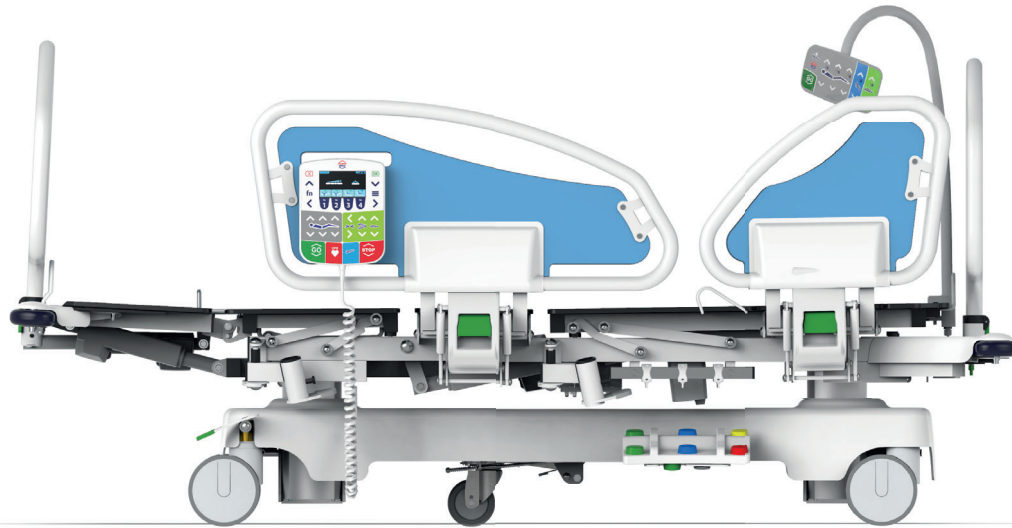
Safe handling of the bed is ensured by a centrally operated brake.



Patient satellite remote control

The control moves with the bed surface, making it easily accessible to the patient at all times in any position. The controller is available in two graphic designs.





Technical parameters

Type of chassis.....	Four - column
Outer bed dimensions (l x w)	222 x 108 (128) cm
Mattress platform (l x w).....	200 x 100 (120) cm
Mattress platform height.....	45 - 85 cm
Autoregression back part	12 cm
Autoregression thigh part.....	6 cm
Mattress platform extension.....	+ 10 cm
Weight of the bed	243 (264) kg
Safe operating load of the bed.....	500 kg
Maximum patient weight.....	435 kg
Application environment for bed use	1, 2, 3
Material of mattress platform.....	HPL
Trendelenburg / Antitrendelenburg.....	14°/14°
Lateral tilt	15°/15° electrical
Max. angles of back part.....	72°
Max. angles of thigh part.....	35°
Max. angles of calf part.....	26°

Bed equipment

Castors	TENTE, 150 mm double reduced plastic
Central brake	Yes
5th wheel.....	Yes
Horizontal accessory holder	Yes 2x
Plastic hook	Yes 6x
X-Ray back part.....	Yes
X-Ray cassette holder.....	Yes
X-Ray cassette holder dimension	40 x 49 cm
CPR.....	Yes (electrical)
Battery	Yes
Zero connector.....	Yes
Bumper wheels	Yes
Backlight chassis.....	Yes
Aretation of bedheads	Yes
Undercarriage cover.....	Yes
Universal accessory holder	Yes 4x
Bed exit alarm	Yes

Weighing system (TITAN PRO)

Maximum weight capacity	500 kg
Minimum permitted load of the scale	10 kg
Accuracy of weighing in absolute mode	+ 0,5 kg
Accuracy of weighing in differential mode... ..	+ 0,5 kg
Weight range	0 - 500 kg
Exit alarm	Yes
Value freezing.....	Yes
Automatic saving of values.....	Yes
Protection class.....	IP54
Display	Graphic LCD display

Matrace

Recommended mattress (l x w)..	200 x 100 (120) cm
Mattress thickness in normal using	15 cm
Recommended minimal mattress size.....	15 cm
Recommended maximal mattress size.....	22 cm

