



Product overview



Our success is based on hard and honest work,
quality products and professional service.

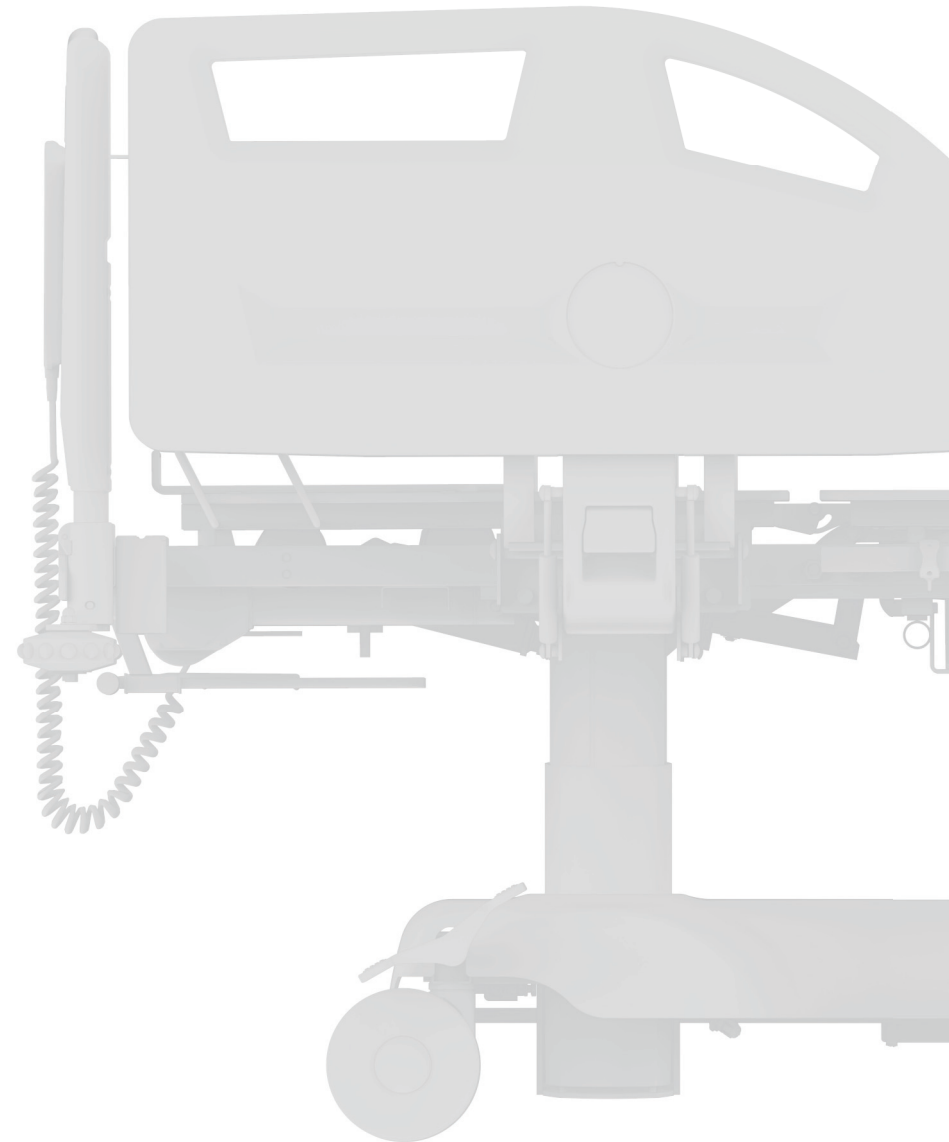
A company with a long tradition,
in strong association with the VCL Group.
We listen to the wishes and needs of our customers.
In-house research and development ensures high-tech solutions.
Our products can be found in more than 70 countries around the world.

ABOUT US



PROMA REHA is a traditional manufacturer of medical and care beds that has successfully established itself in international markets. The company holds a strong position in Scandinavia, Eastern Europe, North Africa, and the Middle East. This success is driven by hard work, quality products, and professional service.

The company has experience in the development and construction of medical beds since 1990. Our beds help patients and medical staff in more than 70 countries around the world. We are constantly improving our products to meet the latest trends in modern medicine.

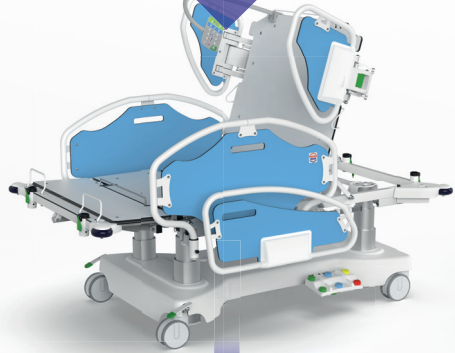
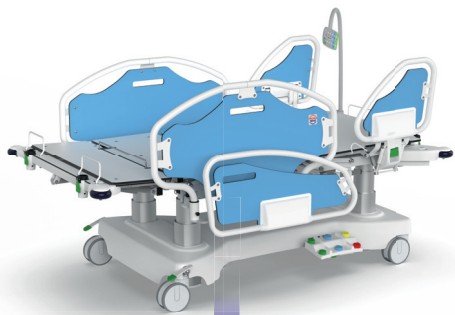


TITAN PRO

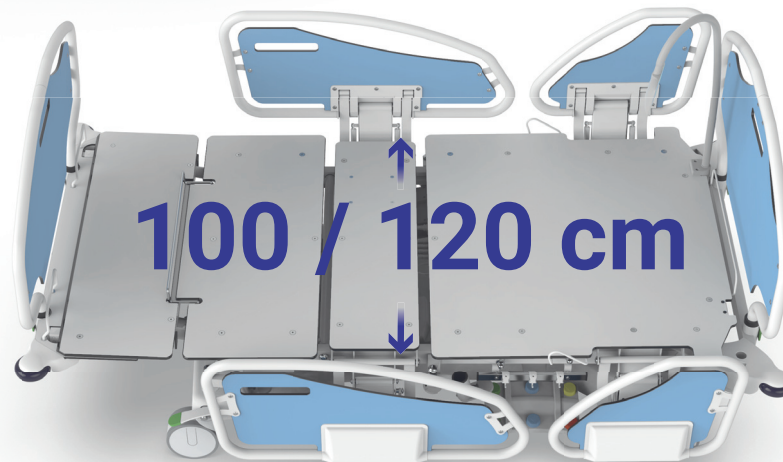


Bariatric bed with weighing system designed for standard, supra-standard and intensive hospital care.

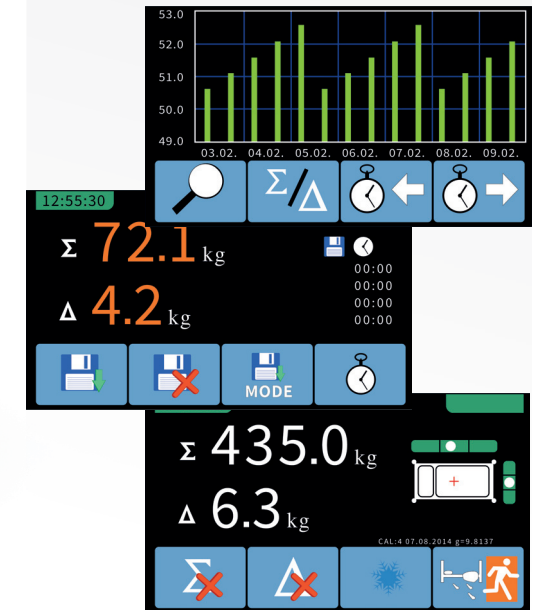




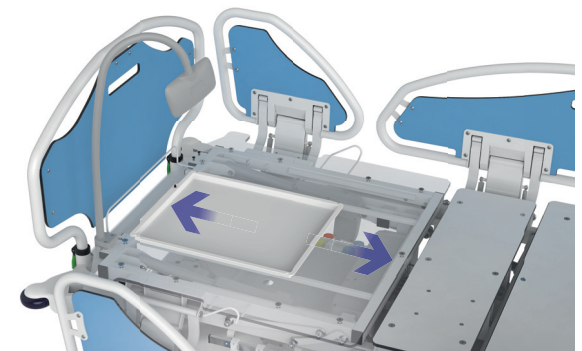
Direct exit position



Weighing system



X-rayable mattress platform



VISTA, VISTA PRO

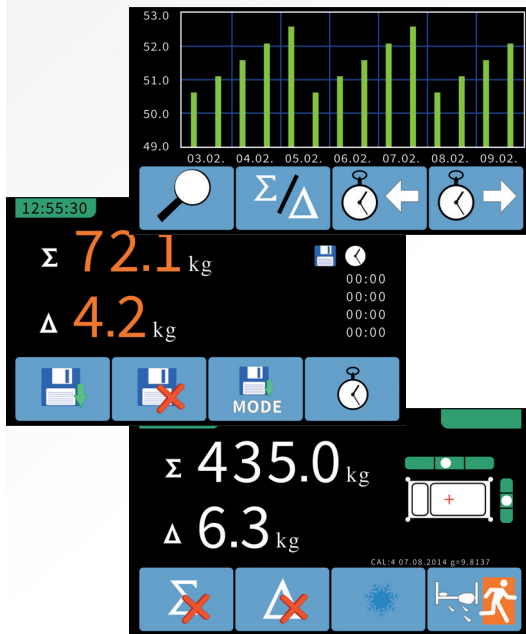
The most advanced bed with weighing system for critical and intensive care.



Reflective markings on bed ends for safer movement around the bed



Weighing system



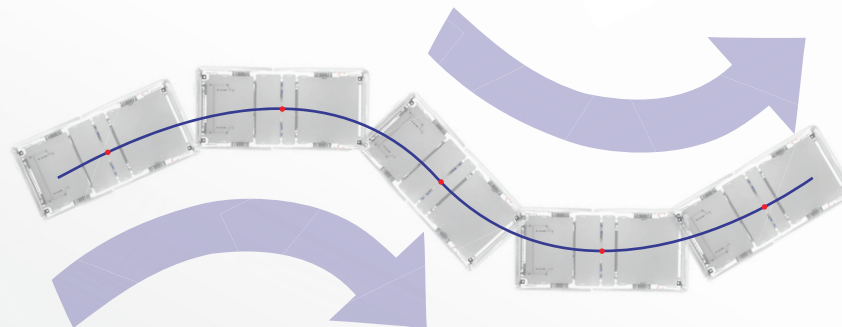
Increased safe operating load



Reversible lateral tilt



Fifth wheel



Controls with colour-coded functions



RRS boards removal system

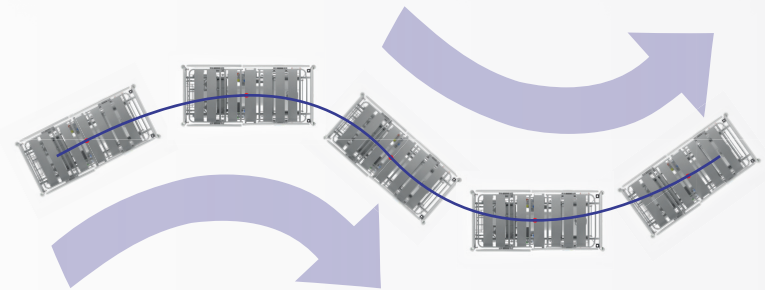
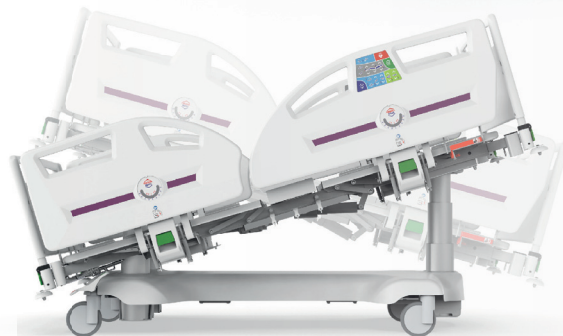


INVENT, INVENT PRO

Bed with weighing system designed for standard, supra-standard and intensive hospital care.



Reflective markings on bed ends for safer movement around the bed



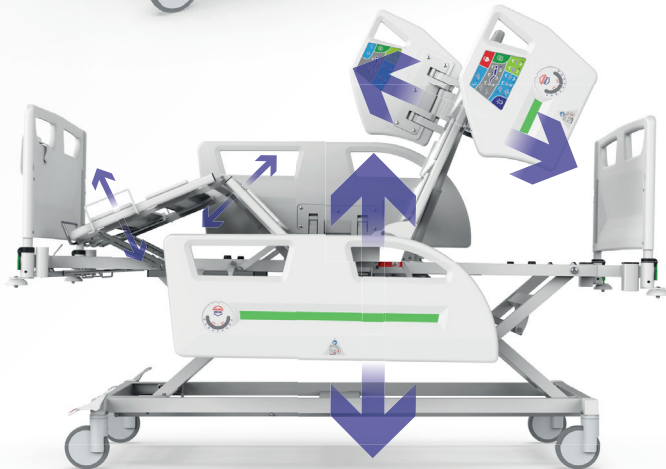
GENEO



The most popular bed not only for standard and above-standard hospital care but also for intensive care.



Reflective markings on bed ends for safer movement around the bed



Bed for standard and supra-standard hospital care



SUPERTA E

Electric positioning



SUPERTA H

Hydraulic positioning



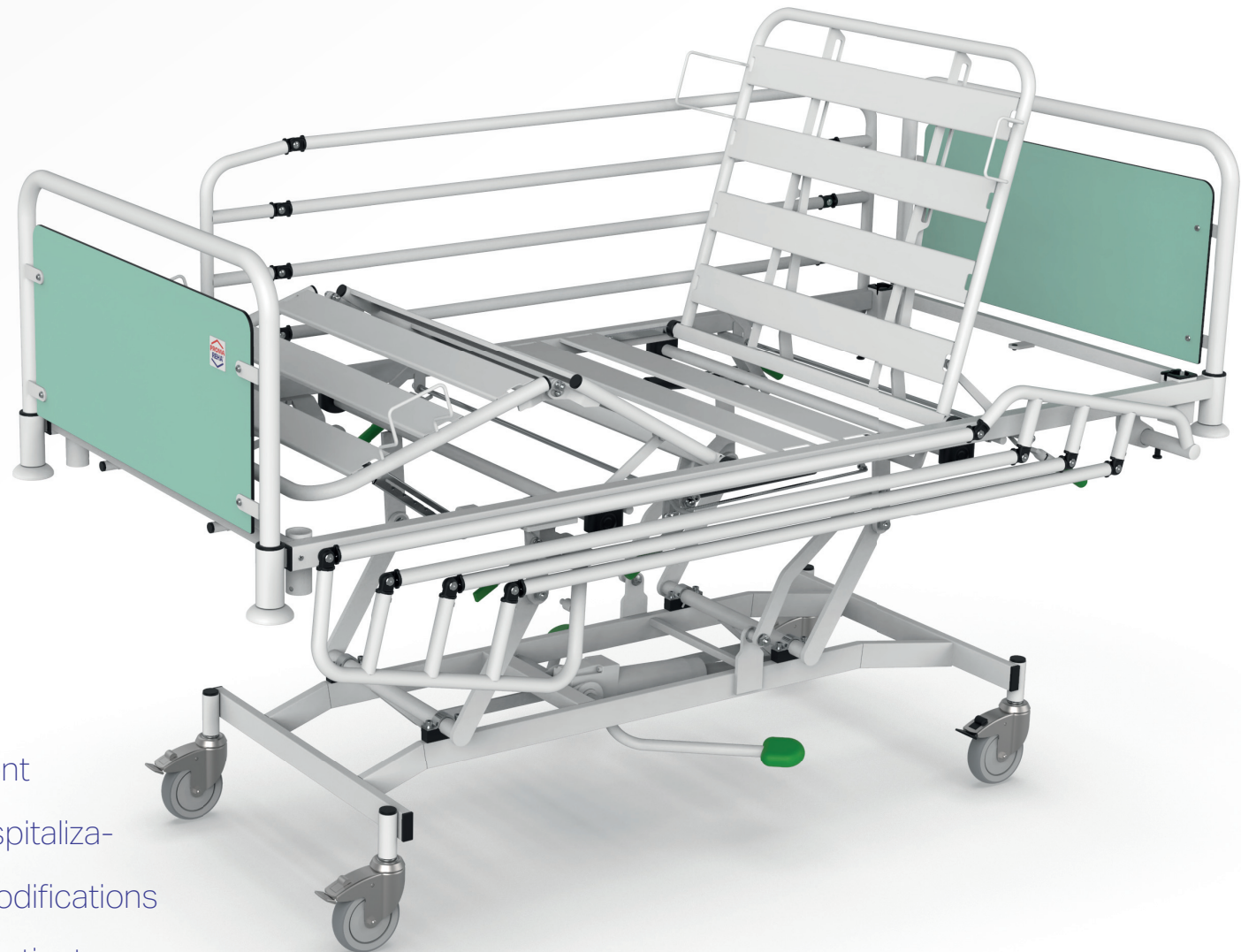
Reflective markings on bed ends
for safer movement around the bed

Bed also suitable for restless patients



SUPER TA H

Hydraulic positioning



A special bed configuration designed with the comfort and safety of restless patients in mind. It creates an environment that supports their treatment and improves their well-being during hospitalization. The bed is equipped with special modifications that are adapted to the needs of these patients.

Bariatric programme

TITAN

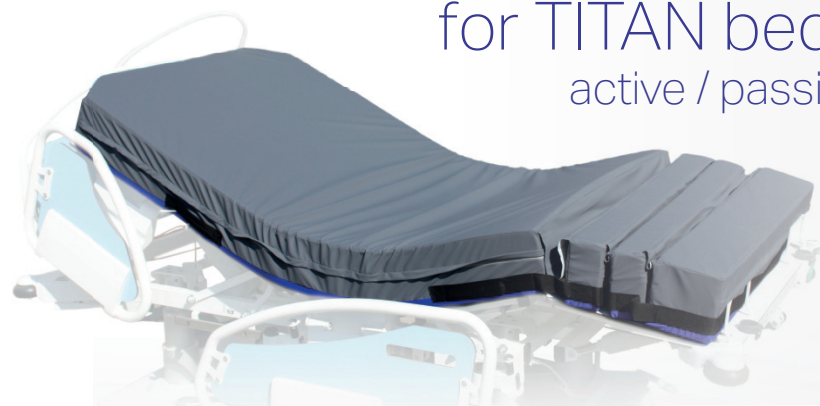
Bariatric bed with weighing system designed for standard, supra-standard and intensive hospital care with load capacity up to 500 kg.



TAURUS

Transport trolley designed for fast and safe transport of bariatric patients with load capacity up to 320 kg.

Special bariatric mattresses
for TITAN beds
active / passive



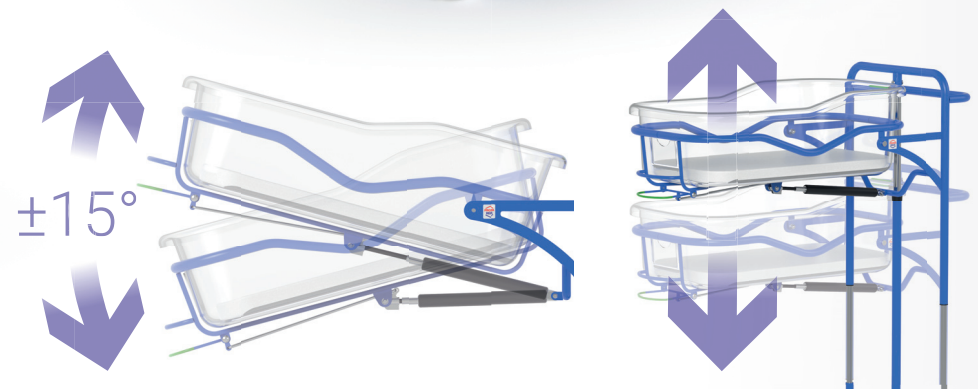
BUDDY/TEDDY

For children



BABY

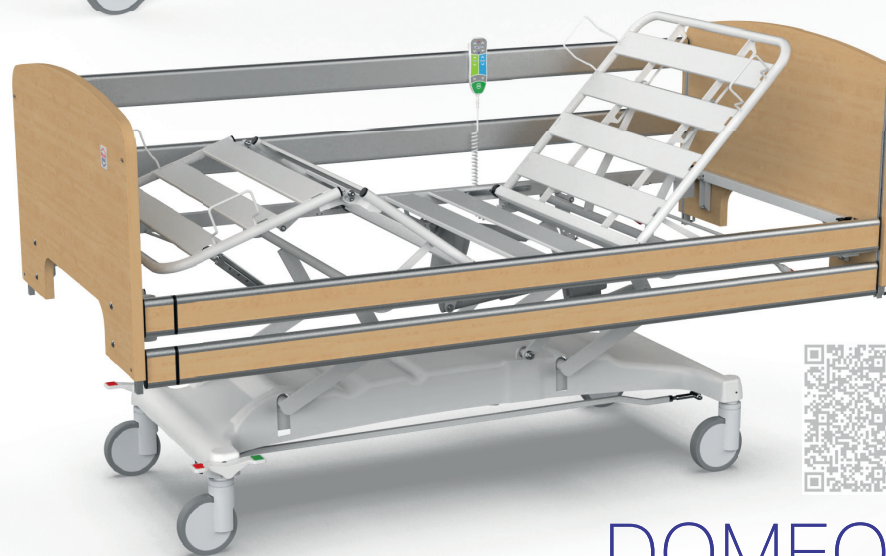
newborn cot



Nursing beds

GRANO

Electrically adjustable bed



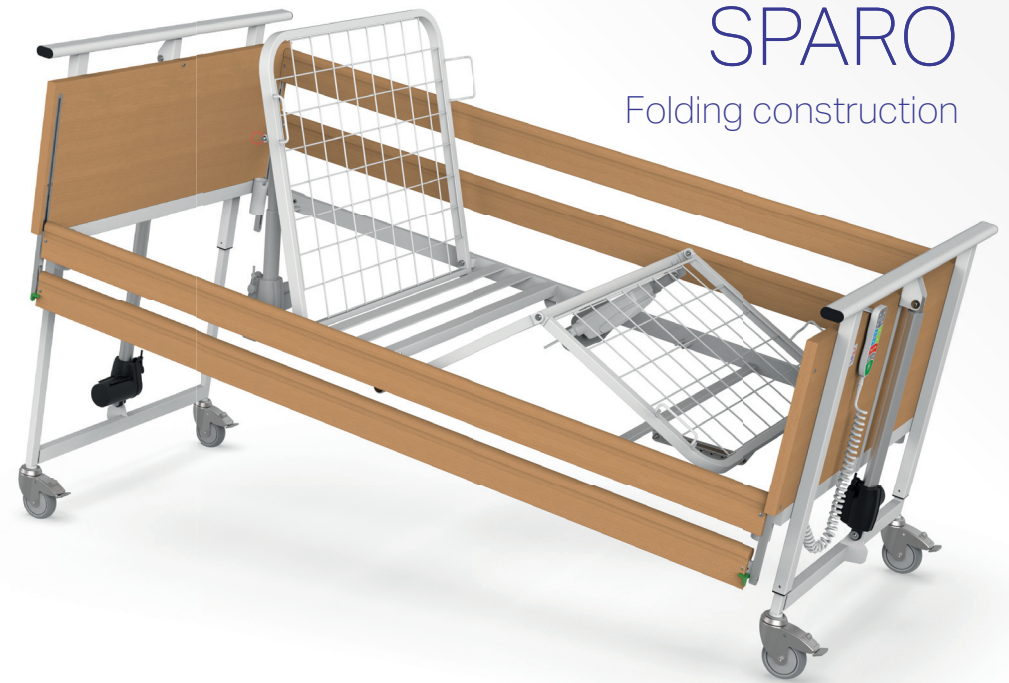
DOMEO H

Hydraulically adjustable bed



DOMEO E

Electrically adjustable bed



Choice of decor

Beech

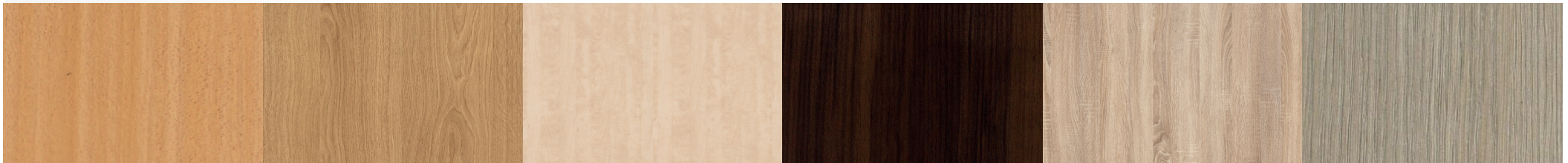
Oak

Maple

Walnut

Sonoma

Nabucco



Bedside cabinets



NS-20



NS-21



NS-22





NS-2



NS-1



NS-3



Serving table



S-202-H

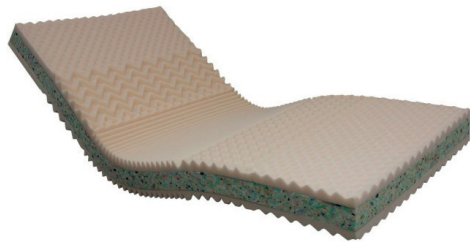


S-205-B



S-202-B

passive anti-decubitus mattresses



Sendvič



LUX P



LUX S



Soft Flex

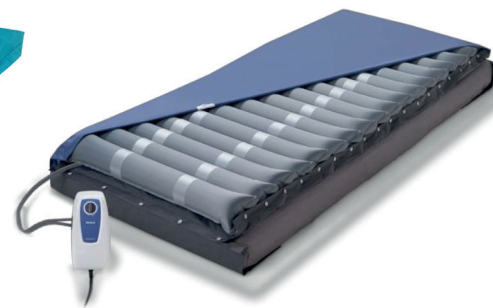
Active and hybrid anti-decubitus mattresses



Decu neo



Decu light



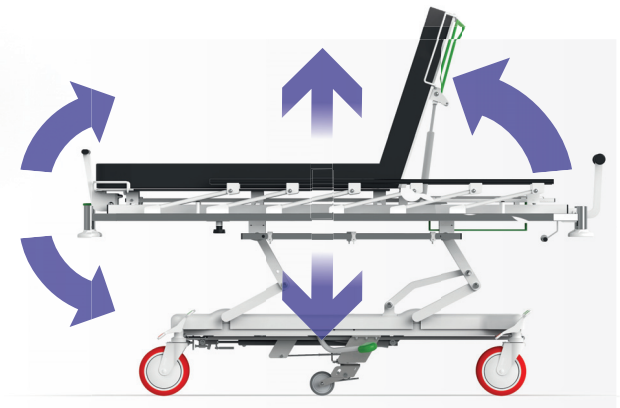
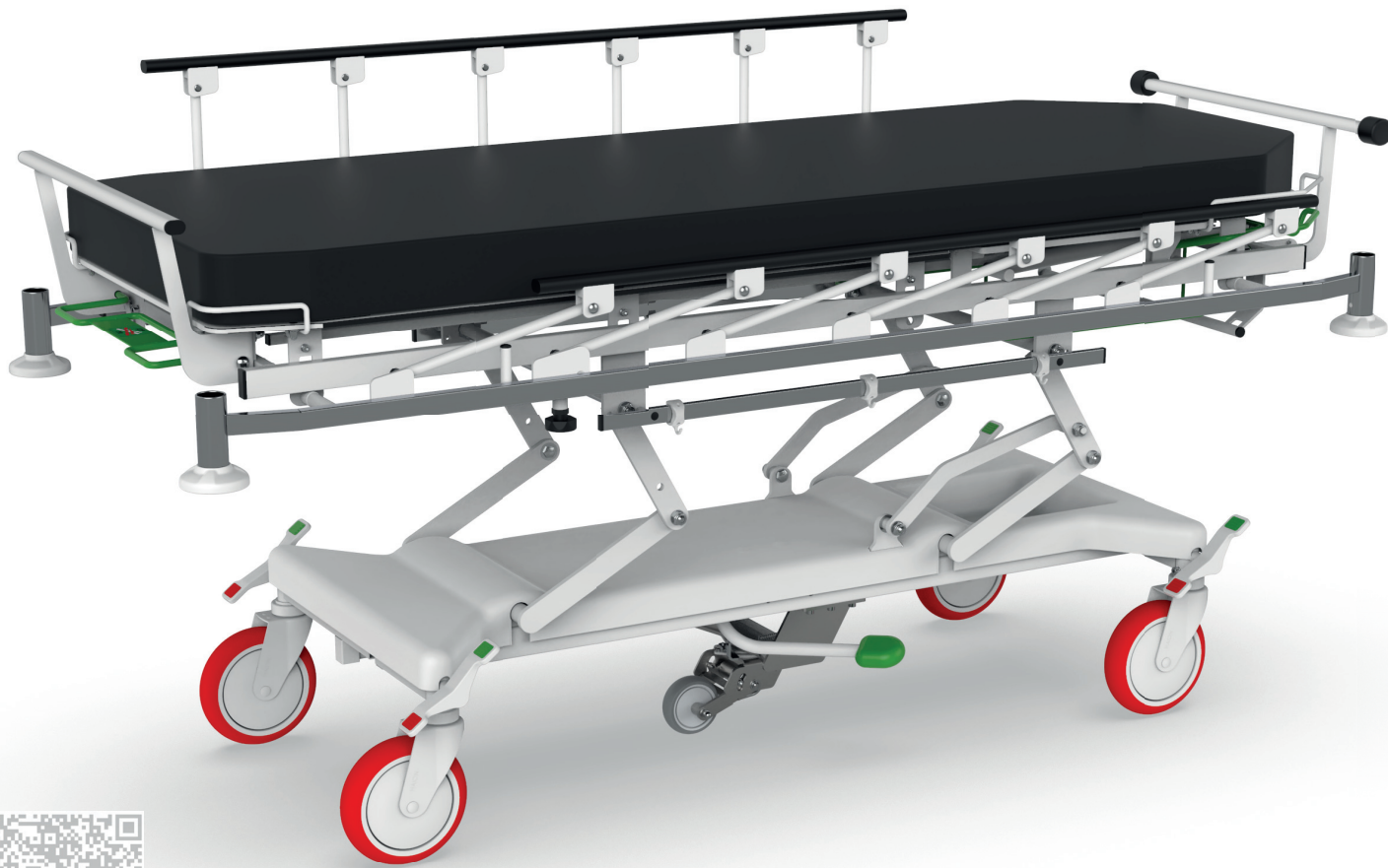
Domus 2 Plus



Domus Auto

URGENT TOP

Transport stretcher for fast and safe transport of patients.



Reception and transport



PRESTO
Transportation trolleys



CHARON
Transport trolley



Reception and transport

SHORTY

Stackable
transport chair



E-MO

Transport chair



VERTICO

Verticalization bed



RESTINO / RESTINO PLUS



Examination couches

ELEVA E

Electrically adjustable couch



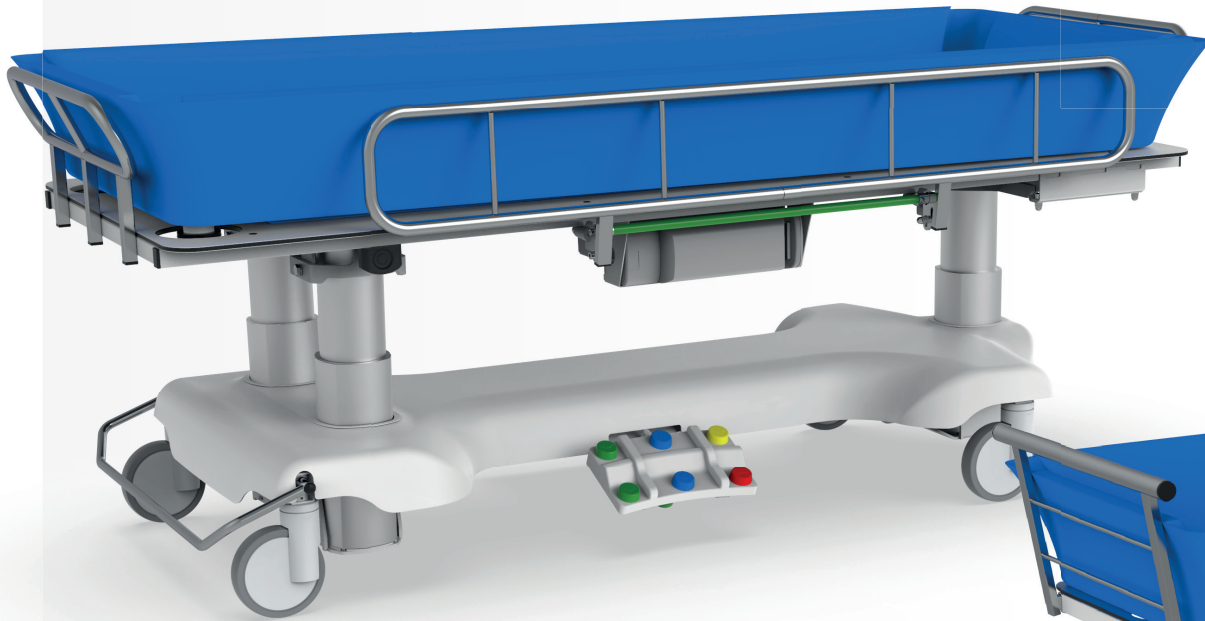
ELEVA H

Hydraulically adjustable couch



CLASSIC
Folding construction

Shower couches



LUNA

Column electric shower bed



LAGUNA

Hydraulic shower bed



Notes



A large rectangular area with a light gray background, divided into two vertical columns by a central vertical line. Each column contains 15 horizontal blue lines, providing a space for handwritten notes.

Notes



A large, light gray rectangular area occupies the center of the page, serving as a space for notes. This area is divided into two vertical columns by a thin, light gray line. Each column contains 15 horizontal blue lines, providing a structured space for writing.



PROMA REHA, s.r.o.

Riegrova 342

552 03 Česká Skalice

Česká republika

+420 491 112 233

info@promareha.cz



www.promareha.com

© 03/2026
The images are for illustrative purposes only.
Technical changes reserved.